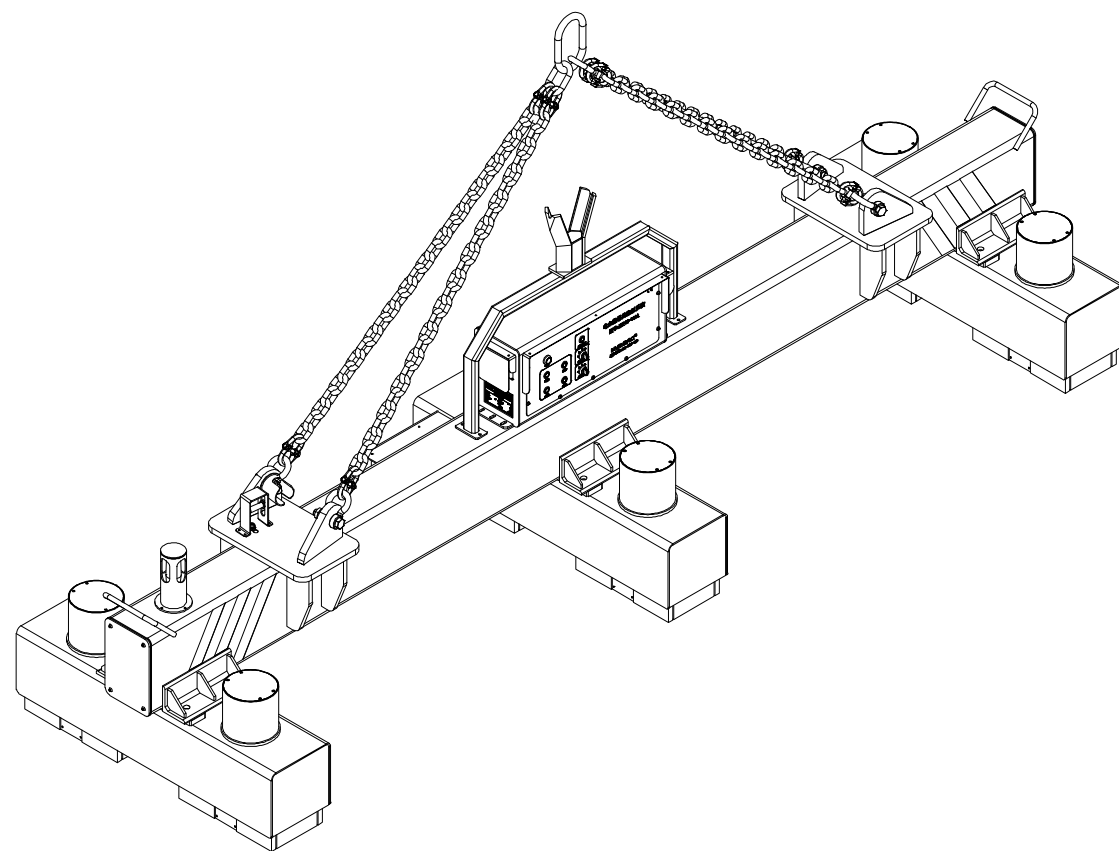
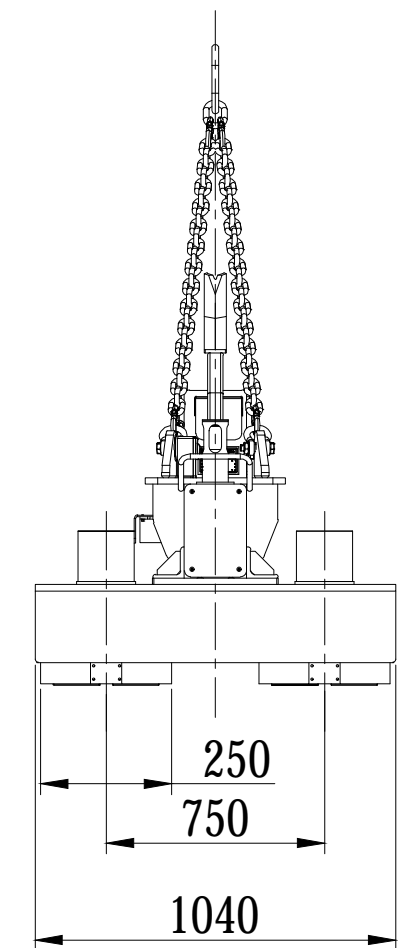
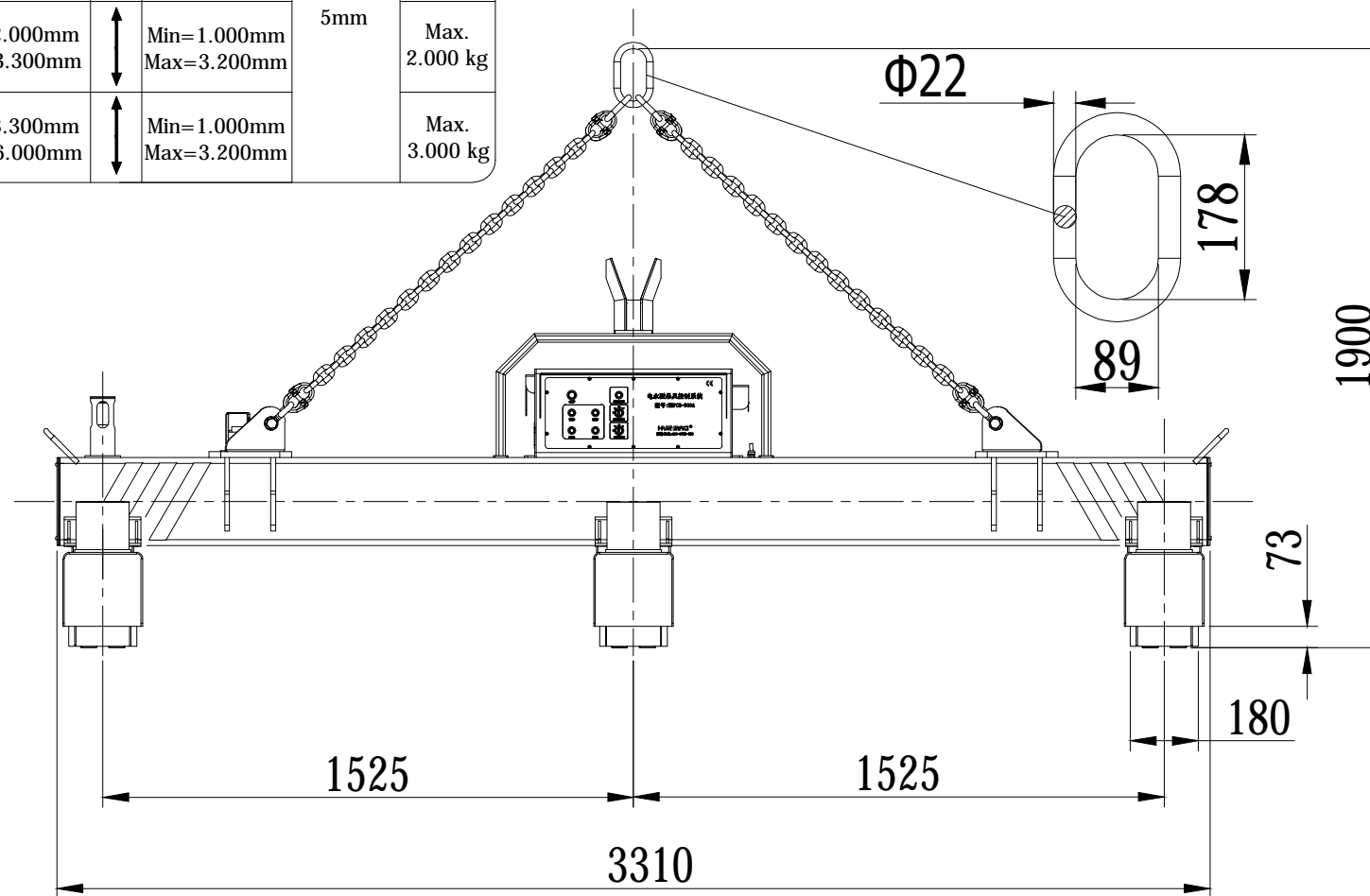


	S E L E C T	A	↔	Min=3.000mm Max=6.000mm	↕	Min=500mm Max=1.000mm	Min. Thickness: 5mm	Max. 1.500 kg
		B	↔	Min=5.00mm Max=2.000mm	↕	Min=1.000mm Max=3.200mm		Max. 1.000 kg
		C	↔	Min=2.000mm Max=3.300mm	↕	Min=1.000mm Max=3.200mm		Max. 2.000 kg
		D	↔	Min=3.300mm Max=6.000mm	↕	Min=1.000mm Max=3.200mm		Max. 3.000 kg



Indicative Weight: 900 kg

Indicative drawing. We reserve the right to modify the design at any time

Index	Date	Modification	Name
			HVR MAG®
HM1-06-030 EPM beam for lifting of steel plate			Date: 20/08/2020 Scale: 1:35 Drawing: ARNO Checked: BIN Unit:mm
			HFA20110.00 Indicative drawing