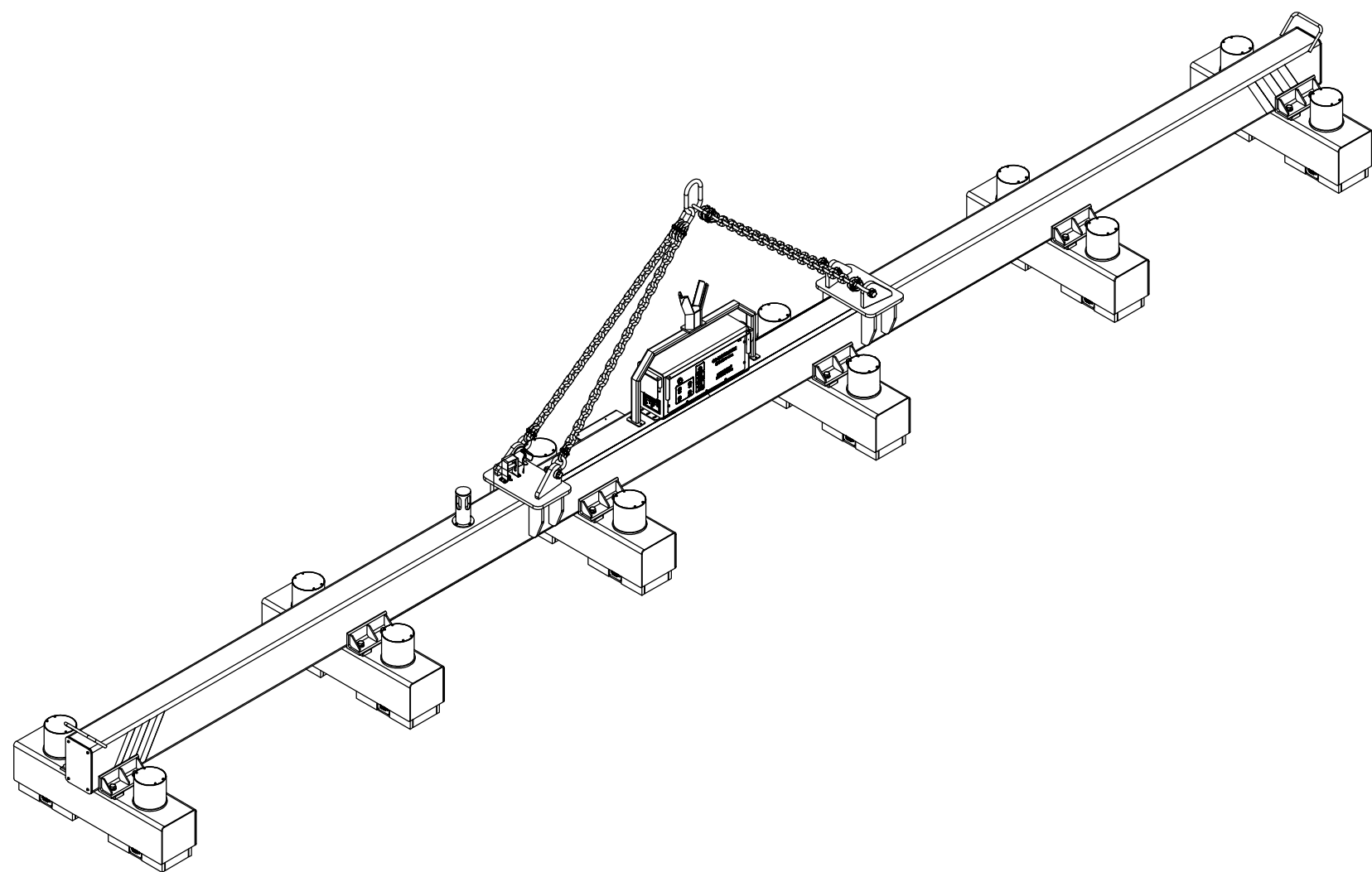
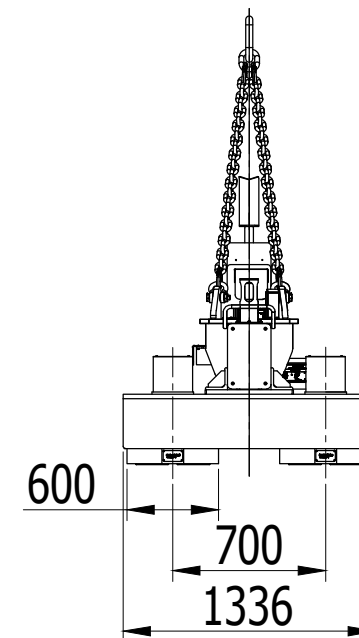
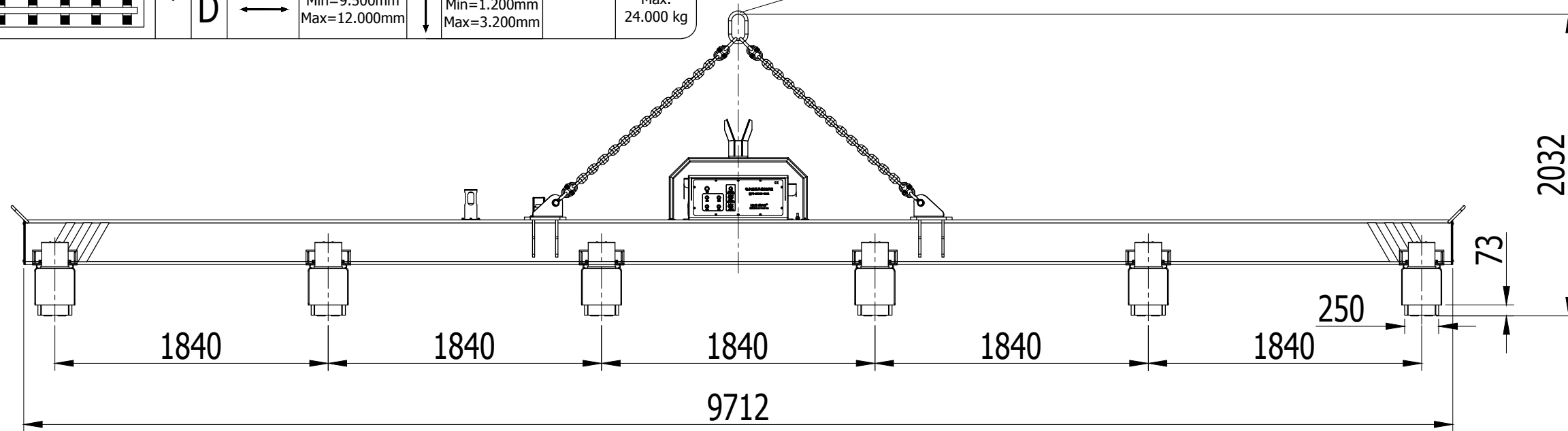
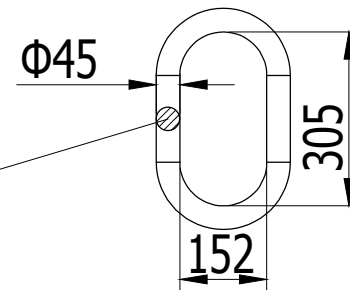


S E L E C T	A	←	Min=9.500mm Max=12.000mm	↕	Min=600mm Max=1.200mm	Min. Thickness: 5mm	Max. 12.000 kg
	B	←	Min=9.500mm Max=12.000mm	↕	Min=600mm Max=1.200mm		Max. 12.000 kg
	C	←	Min=6.000mm Max=9.500mm	↕	Min=1.200mm Max=3.200mm		Max. 16.000 kg
	D	←	Min=9.500mm Max=12.000mm	↕	Min=1.200mm Max=3.200mm		Max. 24.000 kg



Indicative Weight: 2.800 kg

Indicative drawing. We reserve the right to modify the design at any time

Index	Date	Modification	Name
			<b>HVR MAG®</b>
<b>MAGBAT</b> EUROPE			Date: 20/06/2020
			Scale: 1:50
HM1-12-240 EPM beam for lifting of steel plate			Checked: BIN
			Unit:mm
			HFA20123.00 Indicative drawing