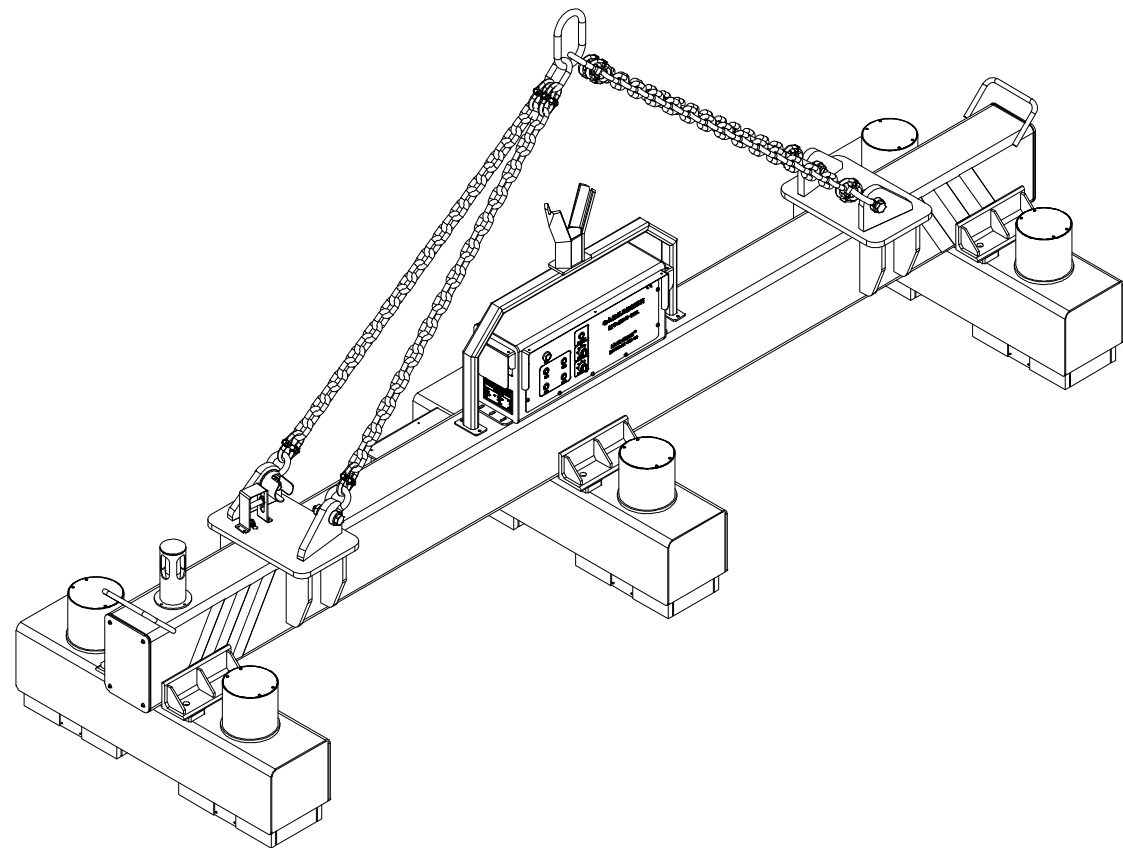
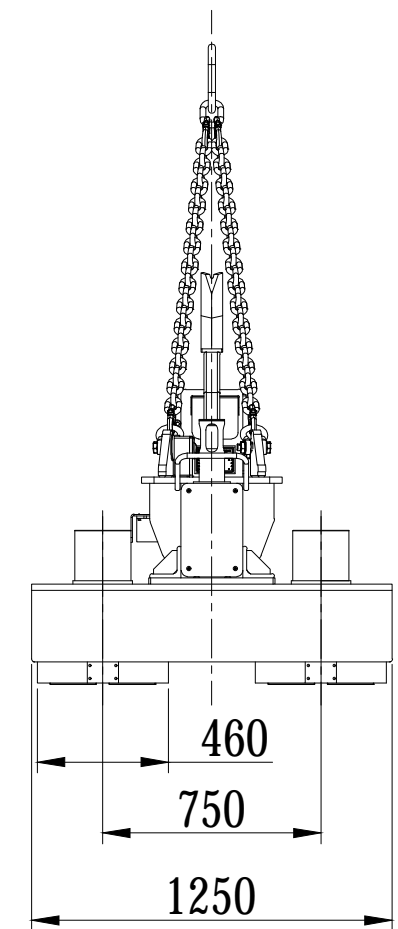
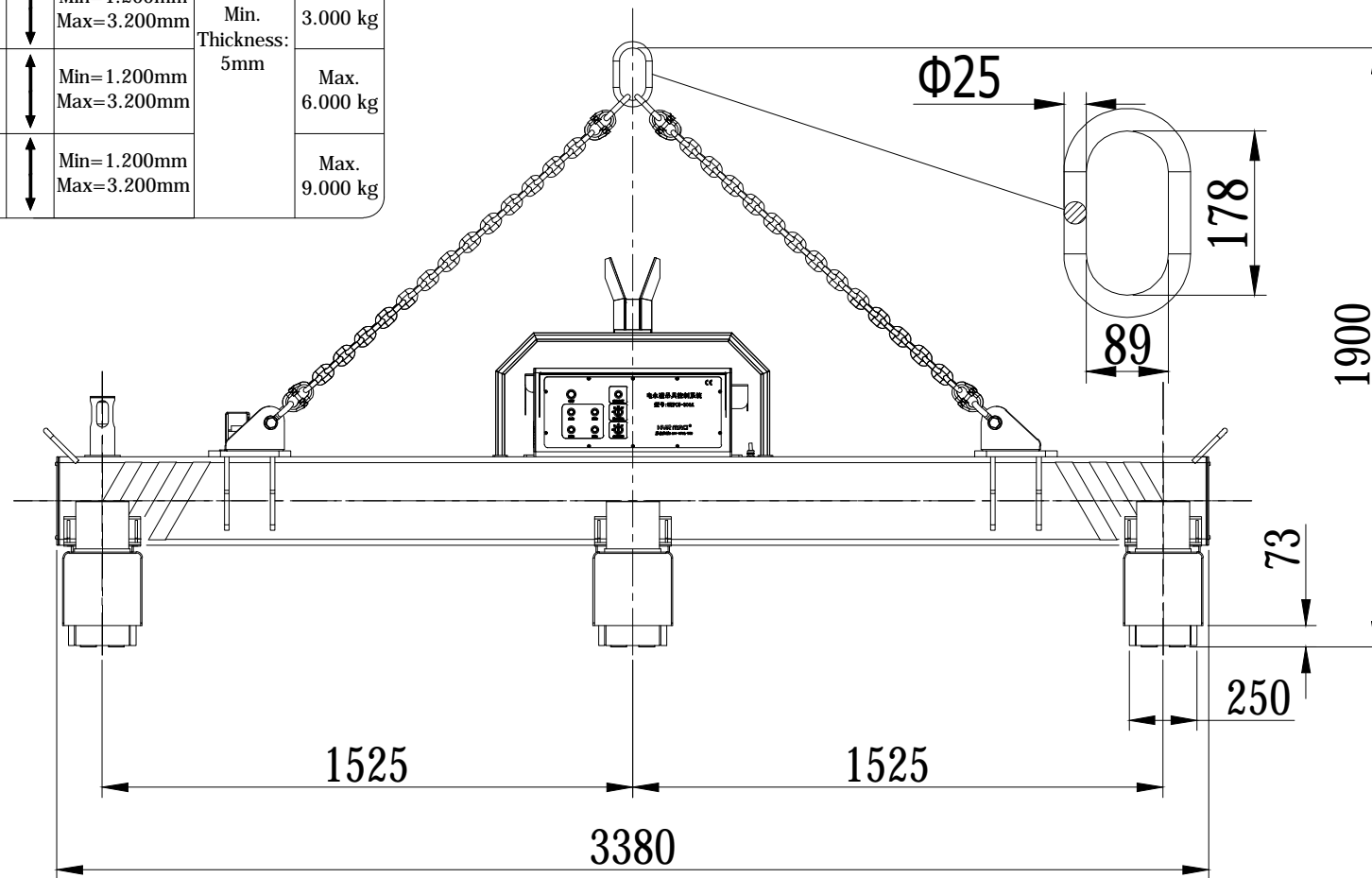


S E L E C T	A	↔	Min=3.300mm Max=6.000mm	↕	Min=500mm Max=1.200mm	Min. Thickness: 5mm	Max. 4.500 kg
	B	↔	Min=500mm Max=2.000mm	↕	Min=1.200mm Max=3.200mm		Max. 3.000 kg
	C	↔	Min=2.000mm Max=3.300mm	↕	Min=1.200mm Max=3.200mm		Max. 6.000 kg
	D	↔	Min=3.300mm Max=6.000mm	↕	Min=1.200mm Max=3.200mm		Max. 9.000 kg



Indicative Weight: 1.100 kg

Indicative drawing. We reserve the right to modify the design at any time

Index	Date	Modification	Name
MAGBAT EUROPE			HVR MAG®
HM1-06-090 EPM beam for lifting of steel plate			Date: 20/08/2020
			Scale: 1:35
HM1-06-090 EPM beam for lifting of steel plate			Checked: BIN
			Unit:mm
HM1-06-090 EPM beam for lifting of steel plate			HFA20112.00 Indicative drawing