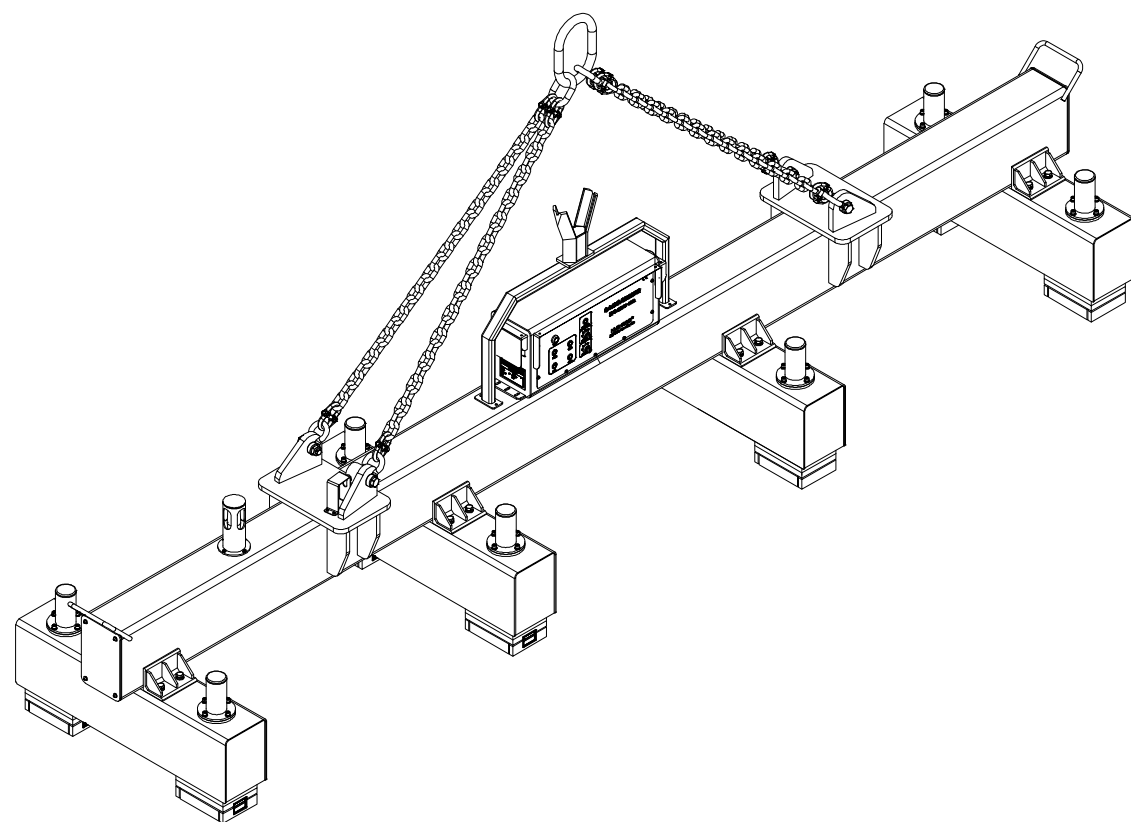
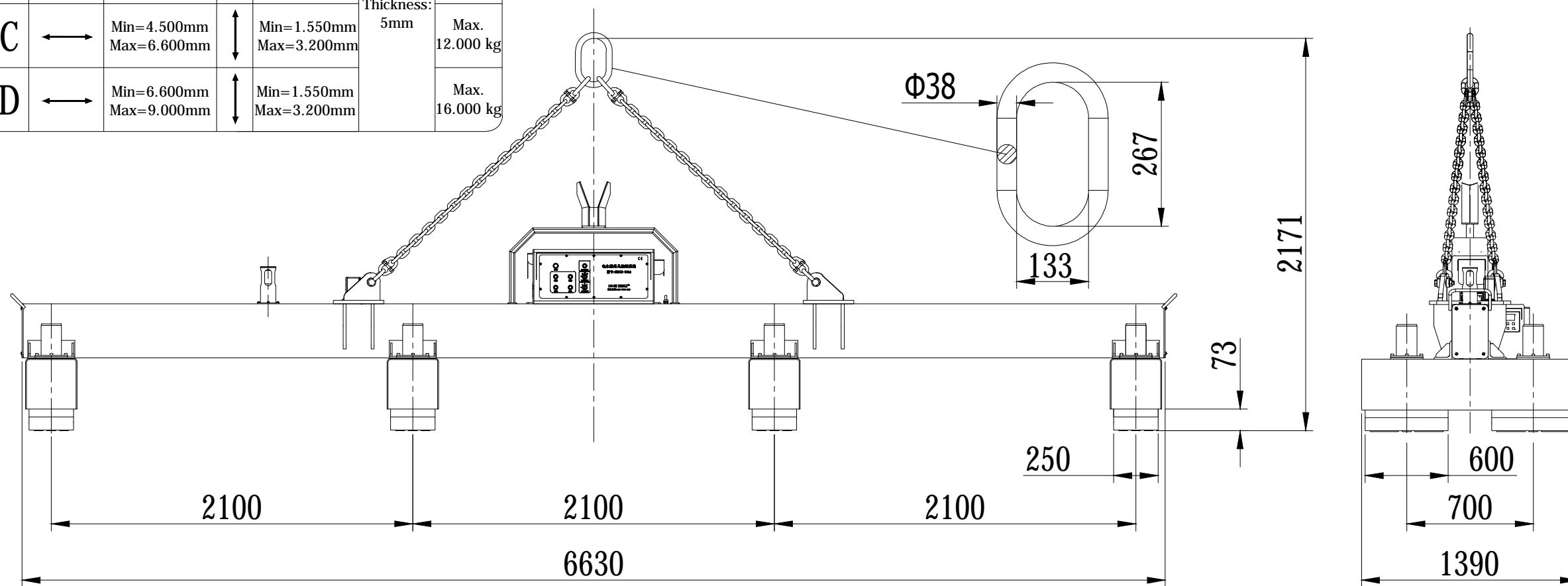


	S E L E C T	A	←→ Min=6.600mm Max=9.000mm	↑↓ Min=600mm Max=1.550mm	Min. Thickness: 5mm	Max. 8.000 kg	
		B	←→ Min=2.350mm Max=4.500mm	↑↓ Min=1.550mm Max=3.200mm			Max. 8.000 kg
		C	←→ Min=4.500mm Max=6.600mm	↑↓ Min=1.550mm Max=3.200mm			
		D	←→ Min=6.600mm Max=9.000mm	↑↓ Min=1.550mm Max=3.200mm			Max. 16.000 kg



Indicative Weight: 1.600 kg

Indicative drawing. We reserve the right to modify the design at any time

Index	Date	Modification	Name
			Date: 20/06/2020
			Scale: 1:40
HM1-09-160 EPM beam for lifting of steel plate			Checked: BIN
			Unit:mm
			HFA20117.00 Indicative drawing

HVR MAG®