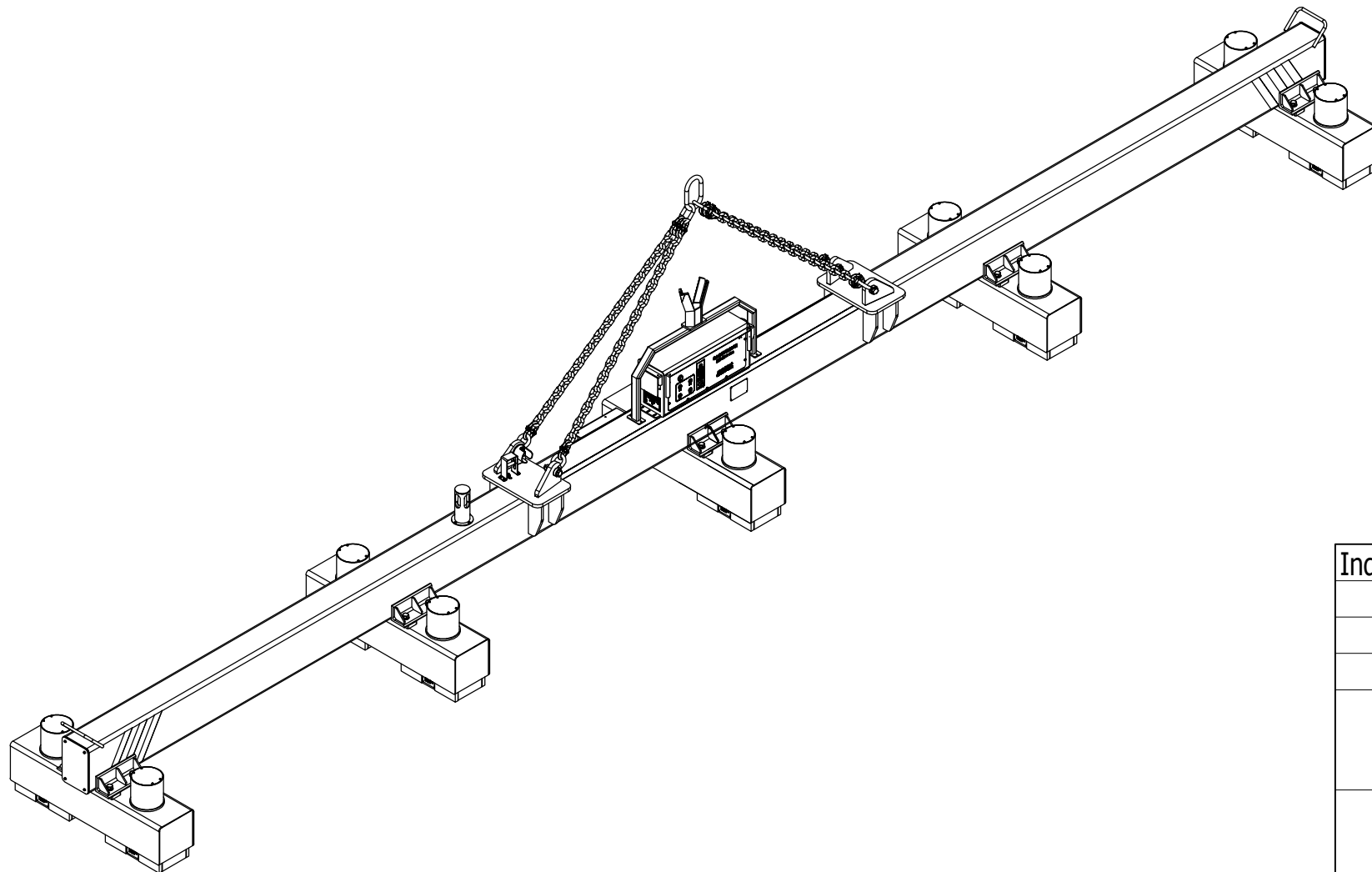
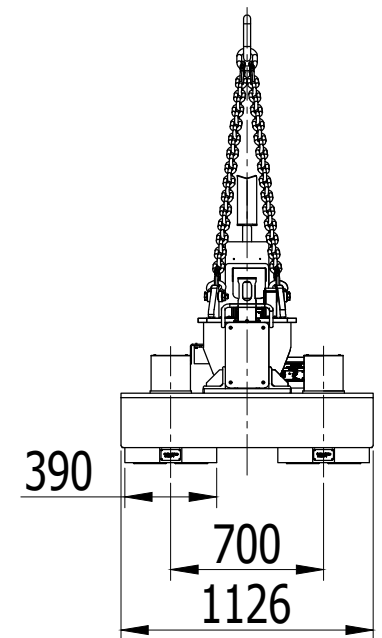
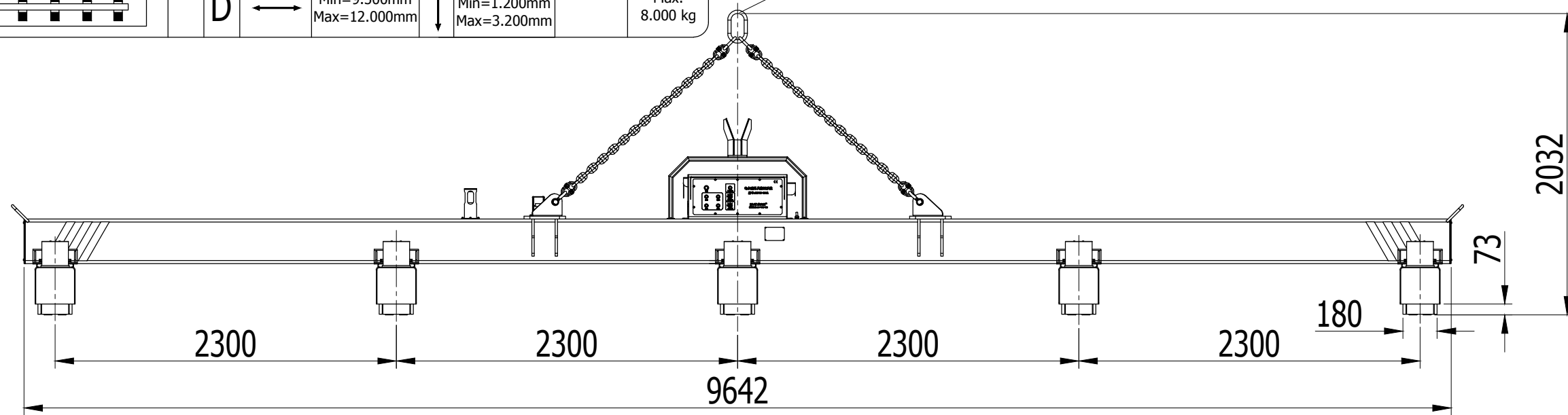
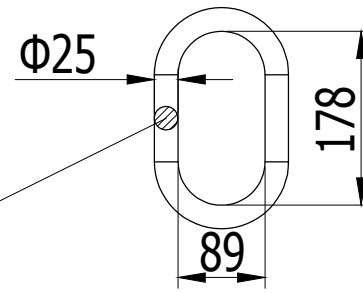


S E L E C T	A	←	Min=9.500mm Max=12.000mm	↕	Min=500mm Max=1.200mm	Min. Thickness: 5mm	Max. 4.000 kg
	B	←	Min=9.500mm Max=12.000mm	↕	Min=500mm Max=1.200mm		Max. 4.000 kg
	C	←	Min=5.000mm Max=9.500mm	↕	Min=1.200mm Max=3.200mm		Max. 4.800 kg
	D	←	Min=9.500mm Max=12.000mm	↕	Min=1.200mm Max=3.200mm		Max. 8.000 kg



Indicative Weight: 1.800 kg

Indicative drawing. We reserve the right to modify the design at any time

Index	Date	Modification	Name
<b>MAGBAT</b> EUROPE			<b>HVR MAG®</b> Date: 20/06/2020    Scale: 1:50 Drawing: QI            Unit:mm Checked: BIN
HM1-12-080 EPM beam for lifting of steel plate			HFA20119.00 Indicative drawing