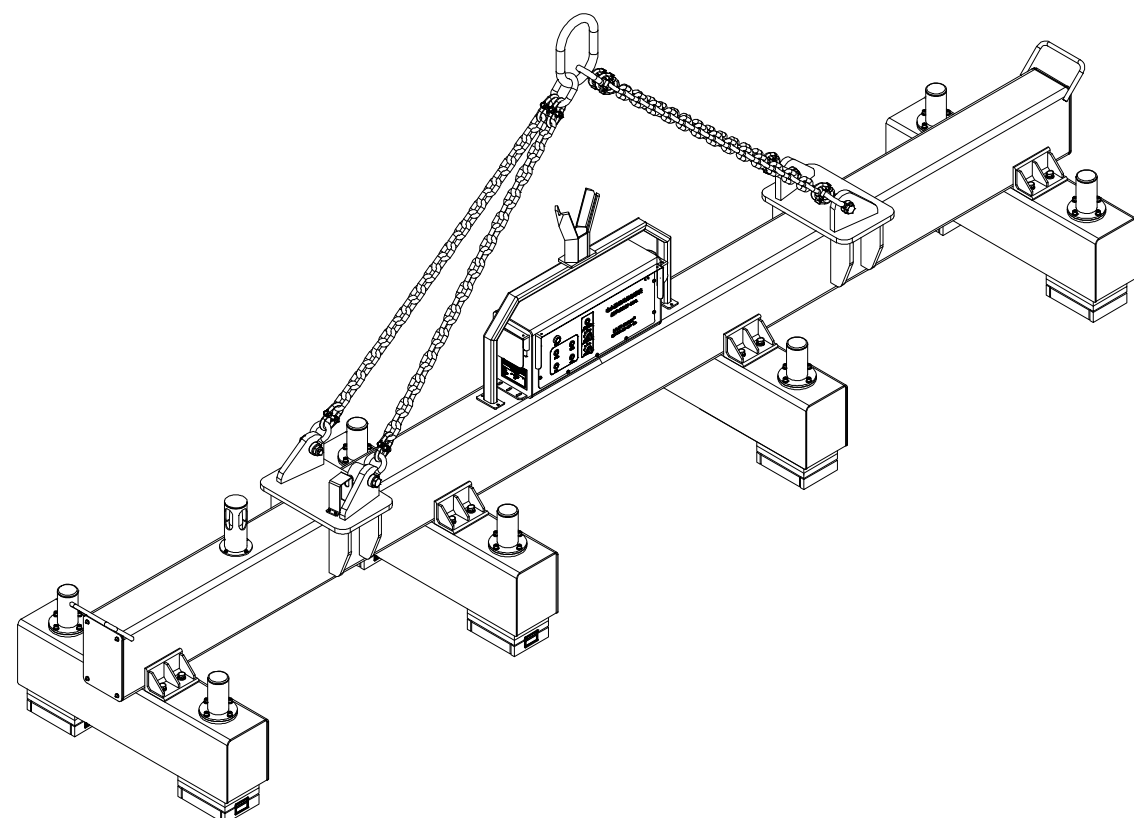
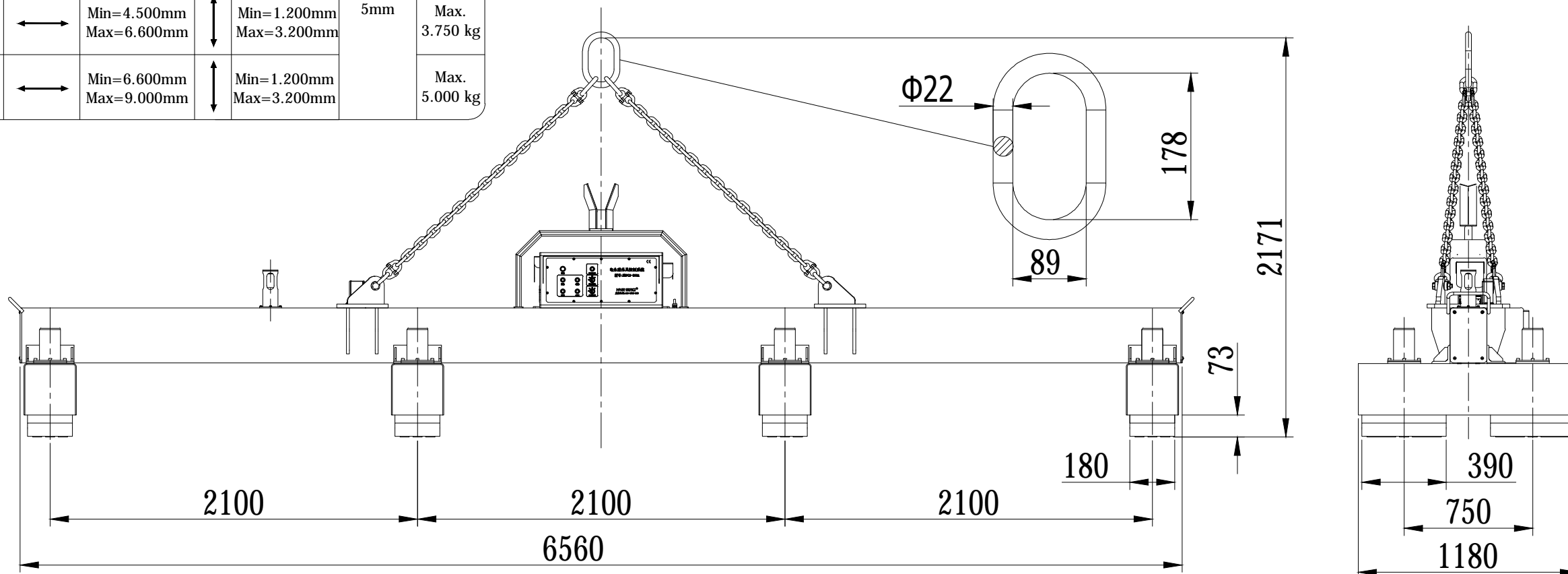


	S E L E C T	A	←→ Min=6.600mm Max=9.000mm	↑↓ Min=500mm Max=1.200mm	Min. Thickness: 5mm	Max. 2.500 kg
		B	←→ Min=2.350mm Max=4.500mm	↑↓ Min=1.200mm Max=3.200mm		Max. 2.500 kg
		C	←→ Min=4.500mm Max=6.600mm	↑↓ Min=1.200mm Max=3.200mm		Max. 3.750 kg
		D	←→ Min=6.600mm Max=9.000mm	↑↓ Min=1.200mm Max=3.200mm		Max. 5.000 kg



Indicative Weight: 1.200 kg

Indicative drawing. We reserve the right to modify the design at any time

Index	Date	Modification	Name
			<b>HVR MAG®</b>
HM1-09-050 EPM beam for lifting of steel plate			Date: 20/08/2020
			Scale: 1:40
HFA20113.00 Indicative drawing			Checked: BIN
			Unit:mm