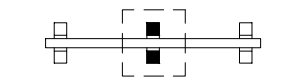
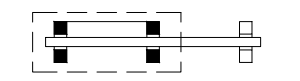
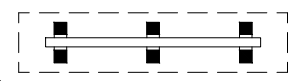
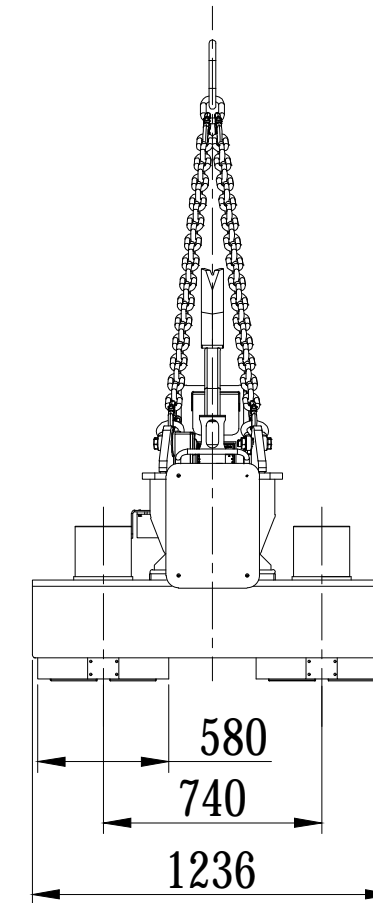
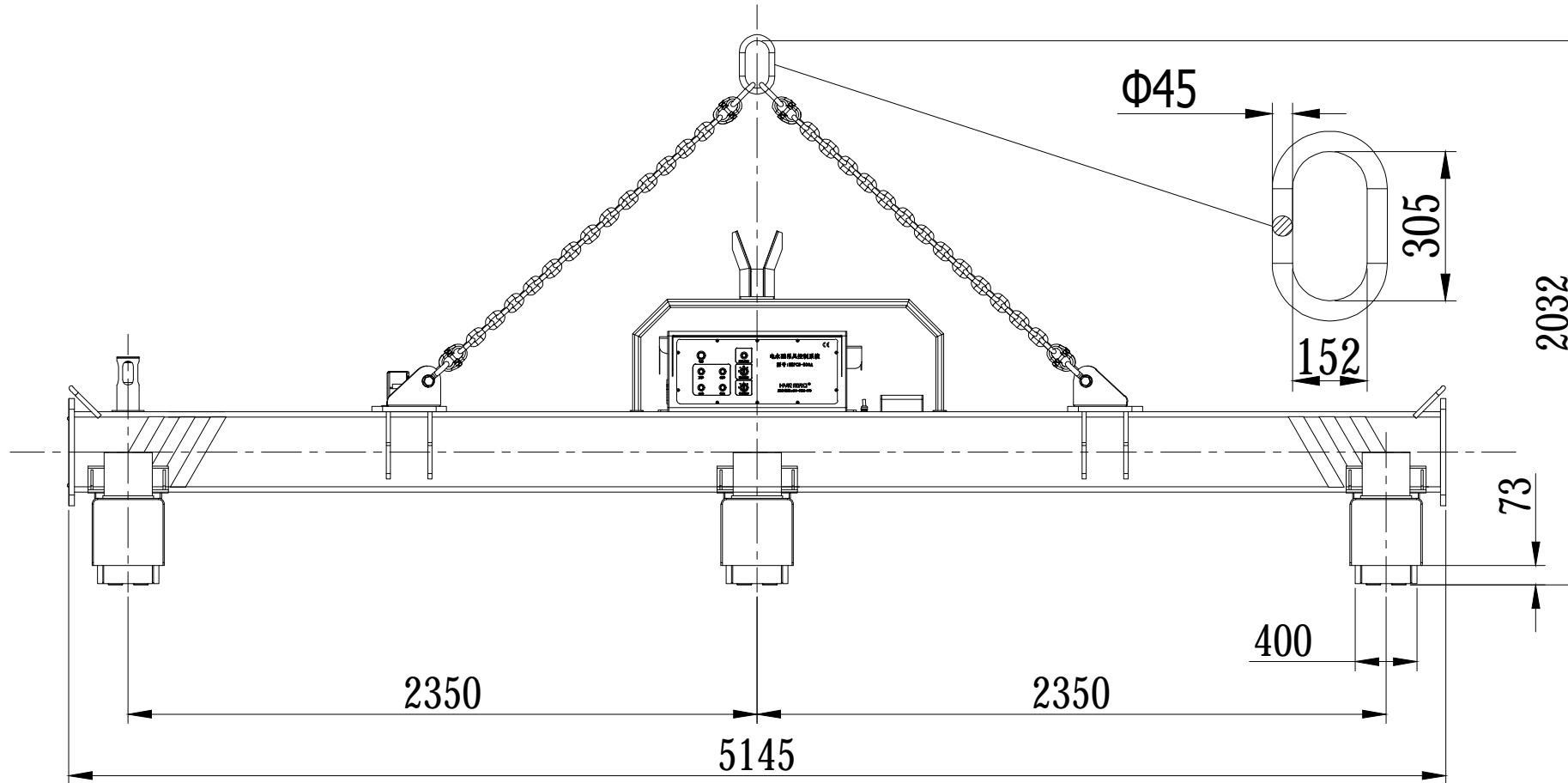
	S E L E C T	A	↔	Min=5.100mm Max=6.000mm	↕	Min=580mm Max=1.200mm	Min. Thickness: 8mm	Max. 12.000 kg
		B	↔	Min=500mm Max=2.800mm	↕	Min=580mm Max=1.350mm		Max. 8.000 kg
		C	↔	Min=2.800mm Max=5.100mm	↕	Min=1.350mm Max=3.200mm		Max. 16.000 kg
		D	↔	Min=5.100mm Max=6.000mm	↕	Min=1.350mm Max=3.200mm		Max. 24.000 kg



Indicative Weight: 1.600 kg

Indicative drawing. We reserve the right to modify the design at any time

Index	Date	Modification	Name
HVR MAG®			
MAGBAT EUROPE			Date: 11/07/2020
HM1-06-240 EPM beam for lifting of steel plate			Scale: 1:35
			Unit:mm
HM1-06-240 EPM beam for lifting of steel plate			Date: 11/07/2020
			Scale: 1:35
HM1-06-240 EPM beam for lifting of steel plate			Checked: BIN
			Unit:mm
HM1-06-240 EPM beam for lifting of steel plate			HFA20323.00 Indicative drawing