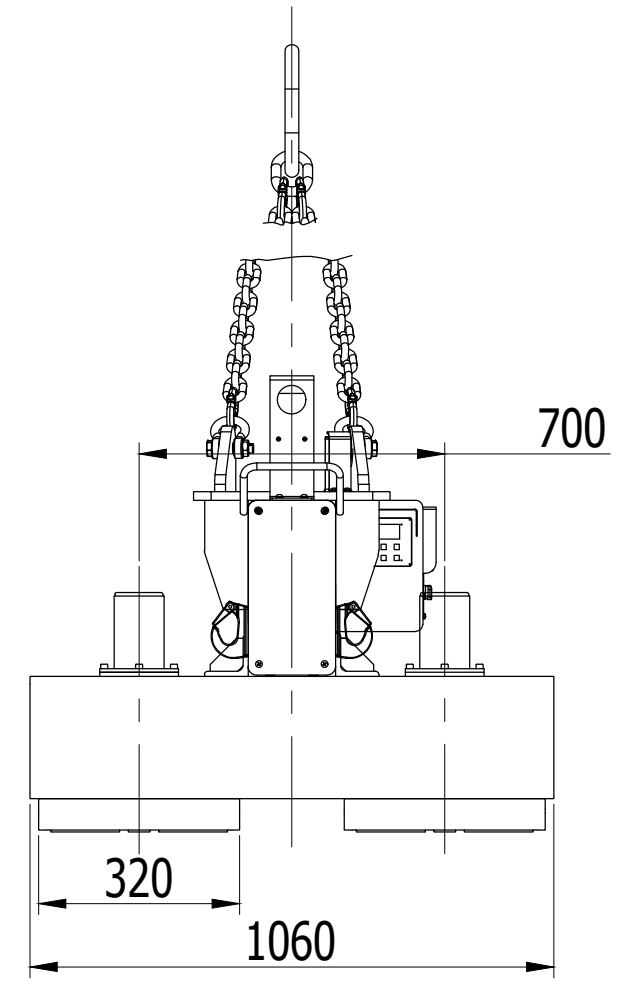
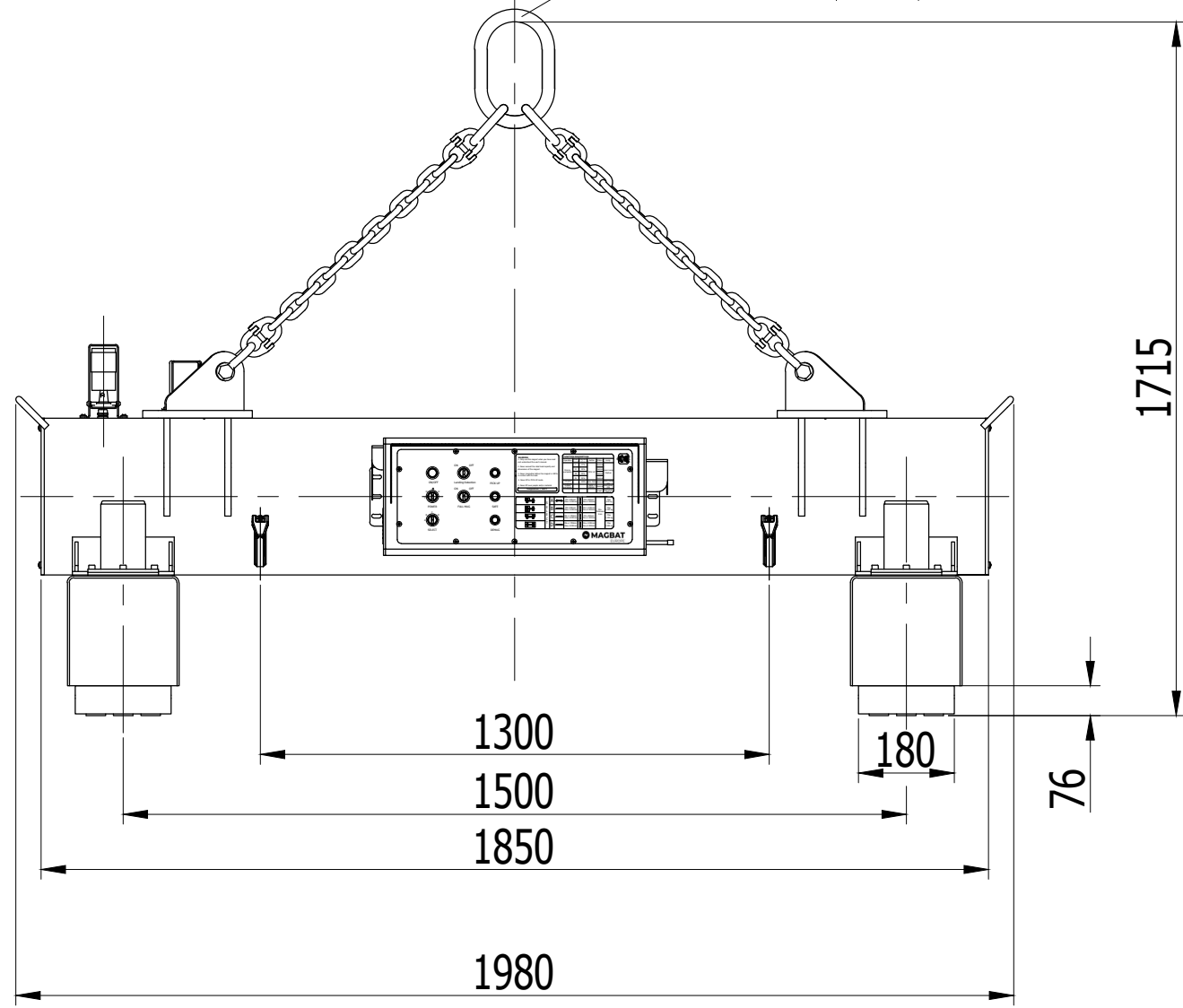
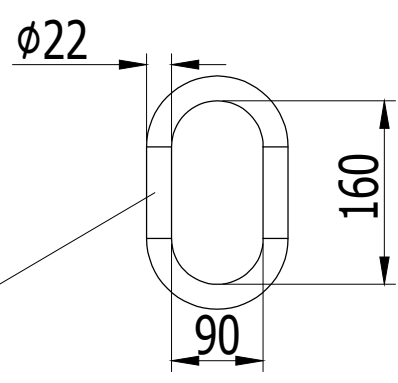


	S E L E C T	A	←→ Min=500mm Max=1.000mm	↕ Min=500mm Max=1.000mm	Min. Thickness: 3mm	Max. 625 kg
		B	←→ Min=500mm Max=1.000mm	↕ Min=1.000mm Max=2.000mm		Max. 1.250 kg
		C	←→ Min=1.700mm Max=3.000mm	↕ Min=500mm Max=1.000mm		Max. 1.250 kg
		D	←→ Min=1.700mm Max=3.000mm	↕ Min=1.000mm Max=2.000mm		Max. 2.500 kg



Indicative Weight: 450 kg

Indicative drawing. We reserve the right to modify the design at any time

Index	Date	Modification	Name
			HVR MAG®
			Date: 20/06/2020
			Scale: 1:25
HM1-03-025 EPM beam for lifting of steel plate			Checked: BIN
			Unit:mm
			HFA20053.00 Indicative drawing