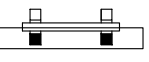

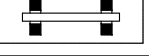
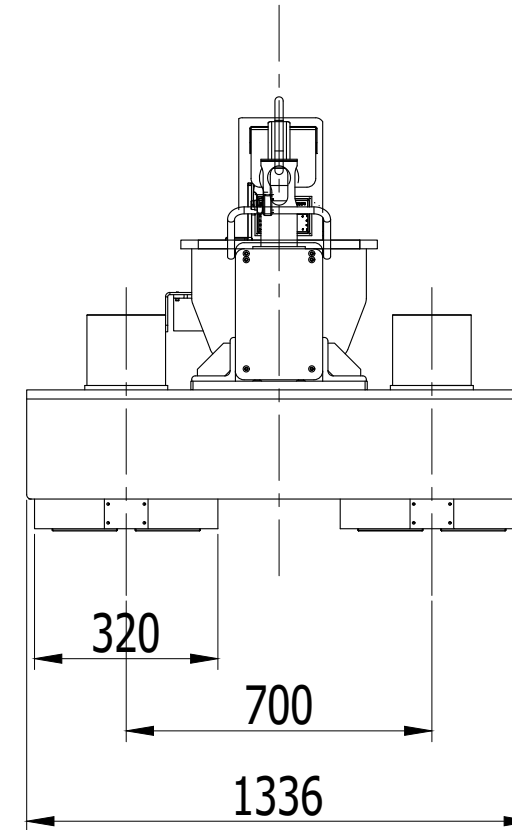
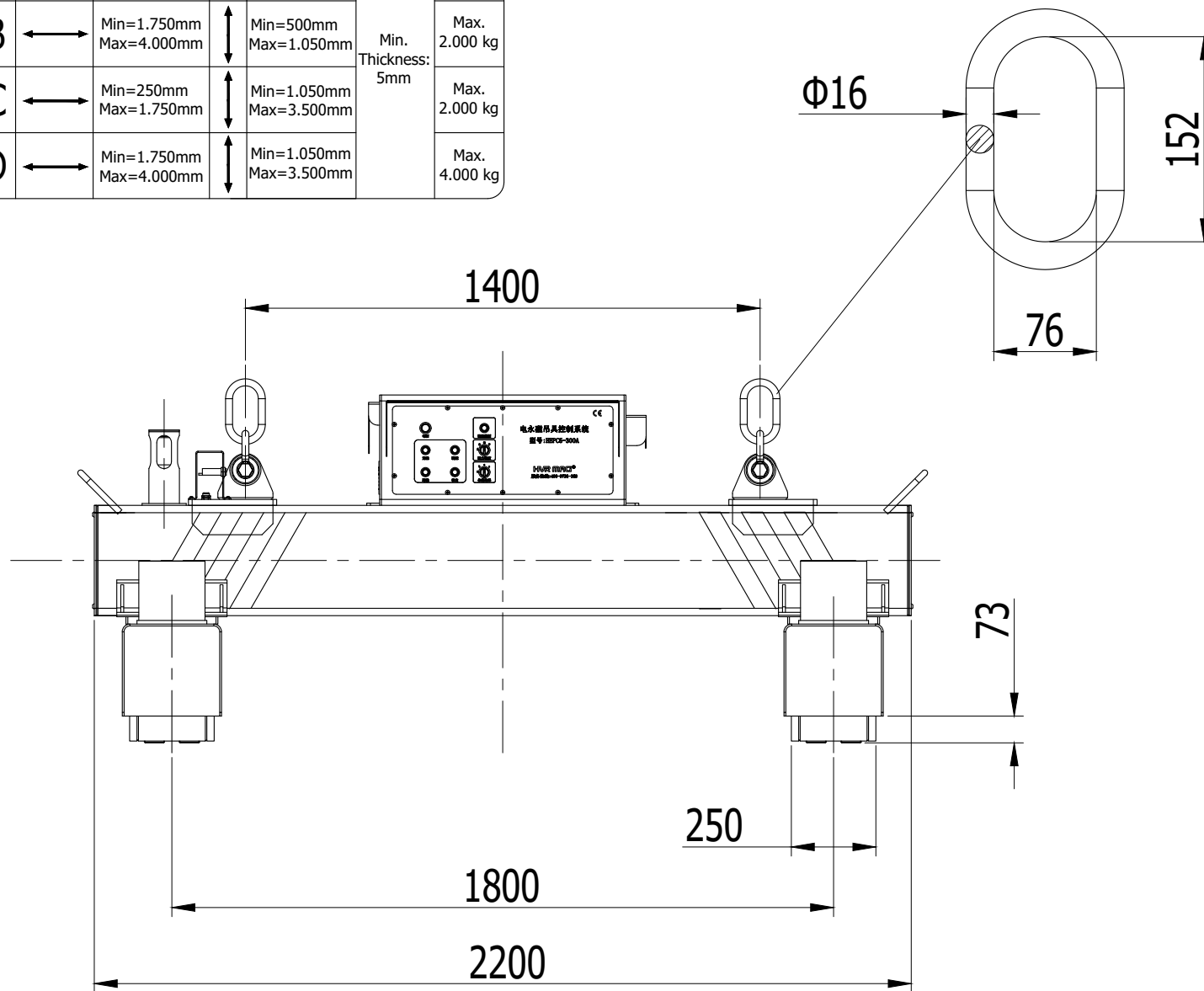

	S E L E C T	A	↔ Min=1.750mm Max=4.000mm	↕ Min=500mm Max=1.050mm	Min. Thickness: 5mm	Max. 2.000 kg
		B	↔ Min=1.750mm Max=4.000mm	↕ Min=500mm Max=1.050mm		Max. 2.000 kg
		C	↔ Min=250mm Max=1.750mm	↕ Min=1.050mm Max=3.500mm		Max. 2.000 kg
		D	↔ Min=1.750mm Max=4.000mm	↕ Min=1.050mm Max=3.500mm		Max. 4.000 kg



Indicative Weight: 456 kg

Indicative drawing. We reserve the right to modify the design at any time

Index	Date	Modification	Name
			HVR MAG[®]
HM1-04-040 EPM beam for lifting of steel plate			Date: 14/07/2020
			Scale: 1:25
HFA20316.00 Indicative drawing			Checked: BIN
			Unit:mm