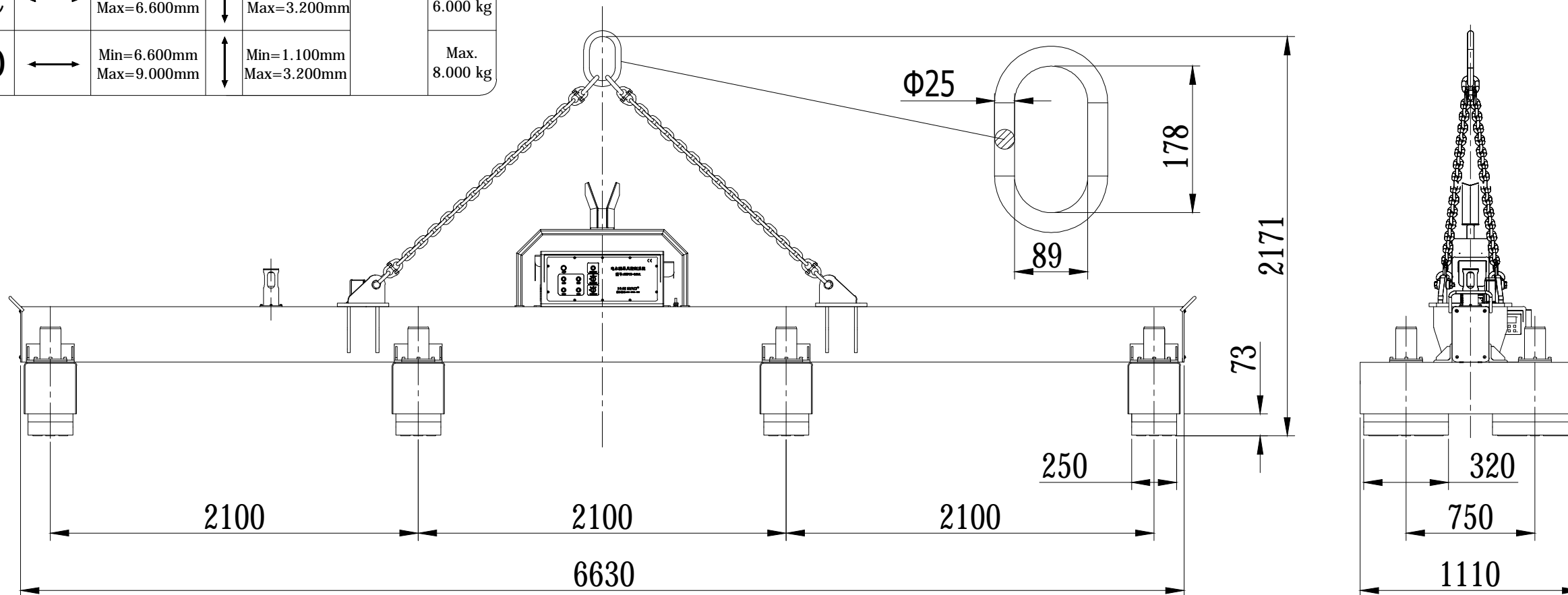
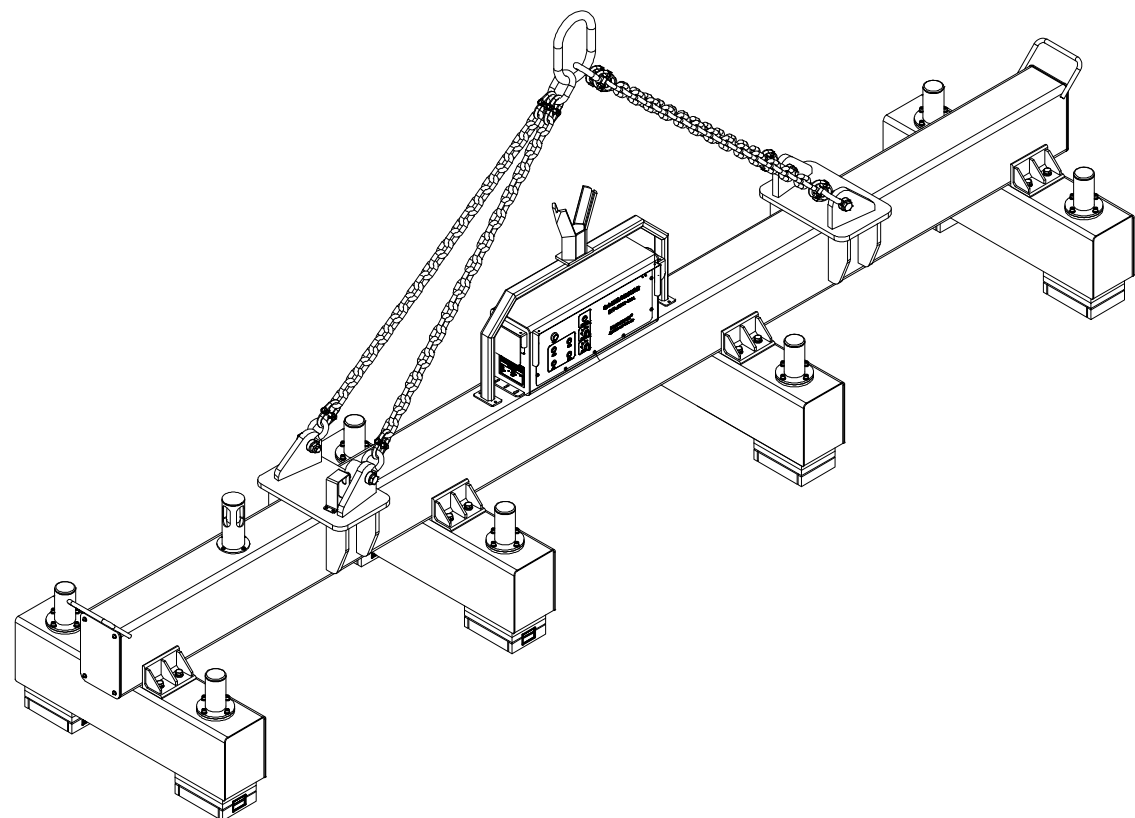


| | | | | | | | |
|----------------------------|---|----|----------------------------|----|----------------------------|---------------------------|------------------|
| S E L E C T | A | ←→ | Min=6.600mm Max=9.000mm | ↑↓ | Min=500mm Max=1.100mm | Min. Thickness: 5mm | Max. 4.000 kg |
| | B | ←→ | Min=2.350mm Max=4.500mm | ↑↓ | Min=1.100mm Max=3.200mm | | Max. 4.000 kg |
| | C | ←→ | Min=4.500mm Max=6.600mm | ↑↓ | Min=1.100mm Max=3.200mm | | Max. 6.000 kg |
| | D | ←→ | Min=6.600mm Max=9.000mm | ↑↓ | Min=1.100mm Max=3.200mm | | Max. 8.000 kg |



Indicative Weight: 1.300 kg

Indicative drawing. We reserve the right to modify the design at any time



| Index | Date | Modification | Name |
|-------|------|--------------|------|
| | | | |
| | | | |
| | | | |

HVR MAG®

Date: 20/08/2020 Scale: 1:40
 Drawing: ARNO Unit: mm
 Checked: BIN

MAGBAT
EUROPE

HM1-09-080
EPM beam for lifting of steel plate

HFA20113.00
Indicative drawing