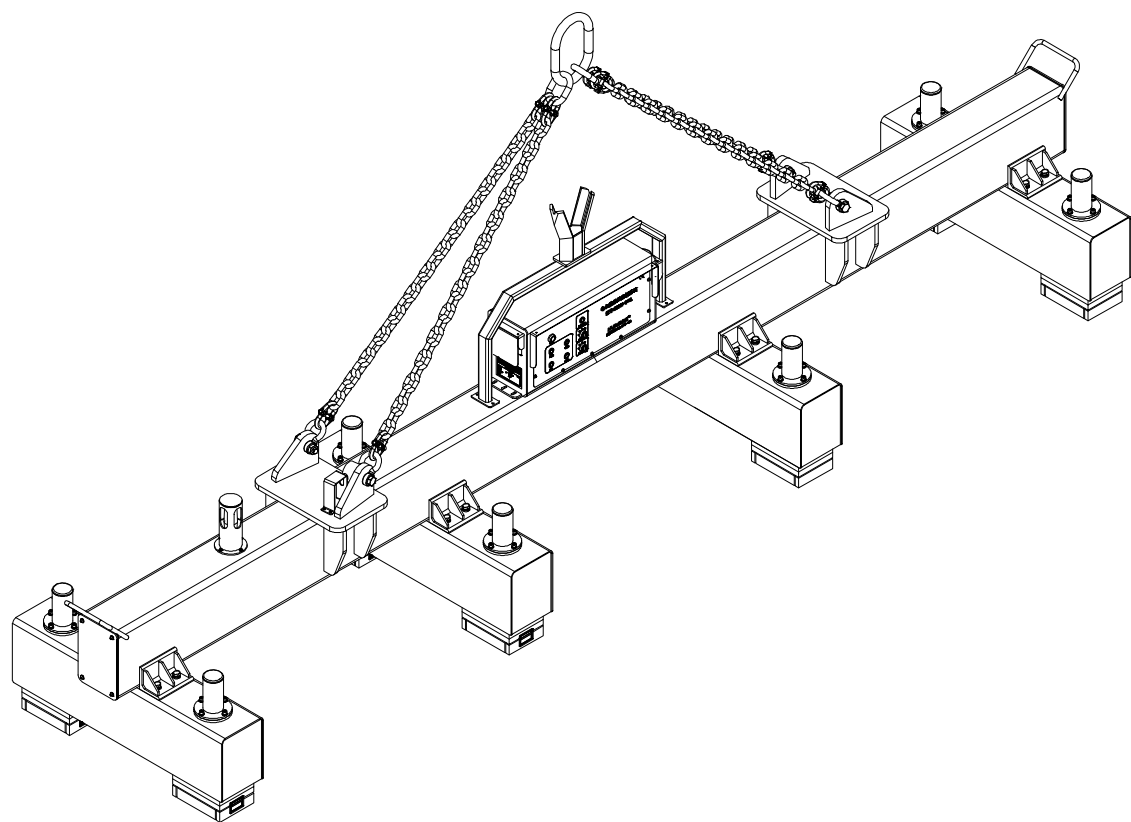
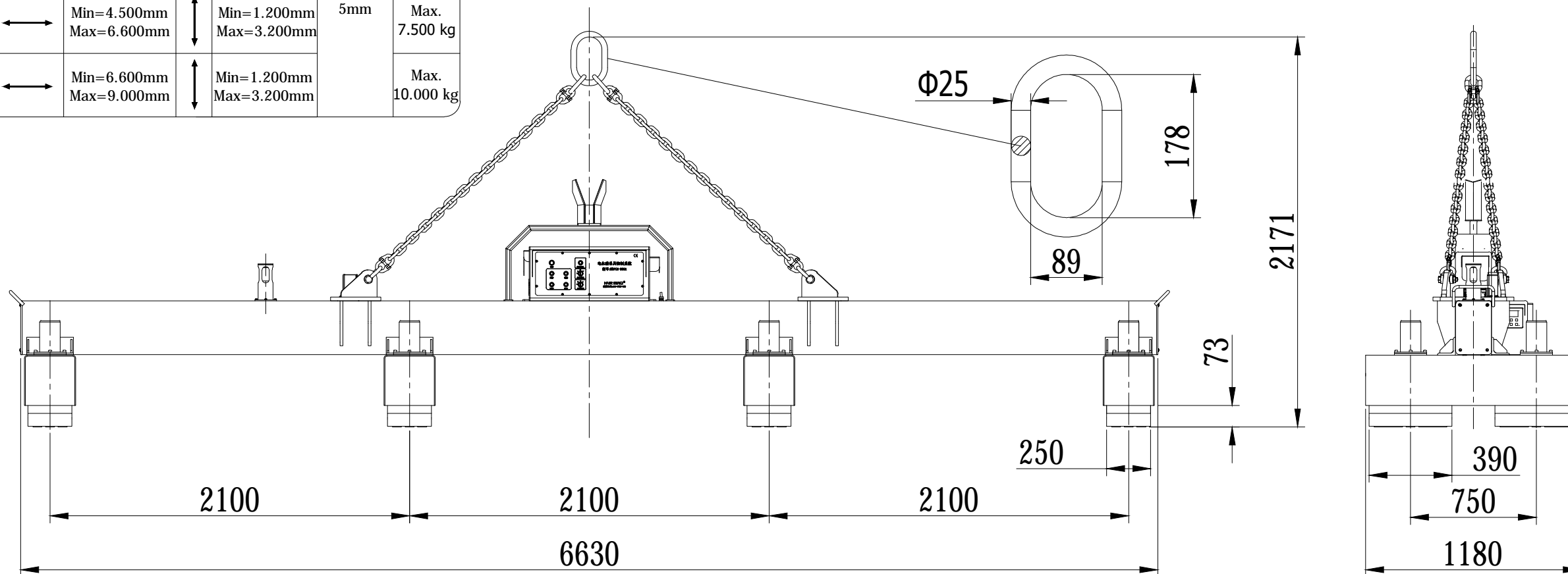



S E L E C T	A	←→	Min=6.600mm Max=9.000mm	↑↓	Min=500mm Max=1.200mm	Min. Thickness: 5mm	Max. 5.000 kg
	B	←→	Min=2.350mm Max=4.500mm	↑↓	Min=1.200mm Max=3.200mm		Max. 5.000 kg
	C	←→	Min=4.500mm Max=6.600mm	↑↓	Min=1.200mm Max=3.200mm		Max. 7.500 kg
	D	←→	Min=6.600mm Max=9.000mm	↑↓	Min=1.200mm Max=3.200mm		Max. 10.000 kg



Indicative Weight: 1.400 kg

Indicative drawing. We reserve the right to modify the design at any time

Index	Date	Modification	Name
1	17/03/21	Upgrade capacity to 10.000 kg	GP



MAGBAT
EUROPE

HM1-09-100
EPM beam for lifting of steel plate

HFA20115.00
Indicative drawing

Date: 20/08/2020	Scale: 1:40
Drawing: ARNO	Unit: mm
Checked: BIN	