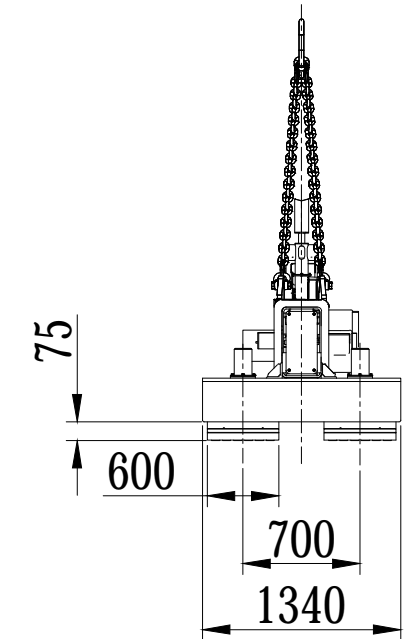
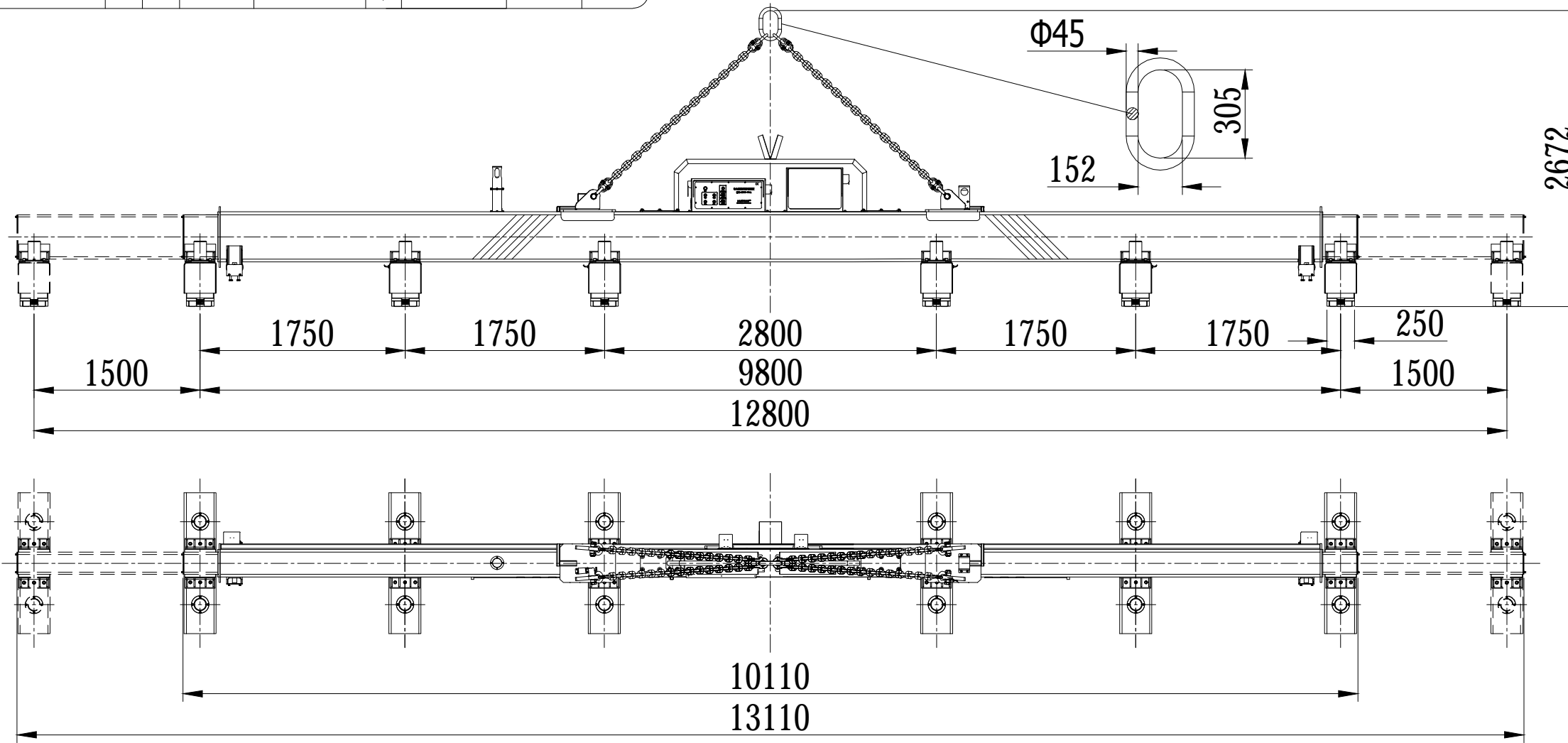


| | | | | | | |
|--|----------------------------|---|------------------------------------|---------------------------------|---------------------------|-------------------|
| | S E L E C T | A | ←→ Min=10.000mm Max=16.000mm | ↕ Min=500mm Max=1.300mm | Min. Thickness: 5mm | Max. 12.000 kg |
| | | B | ←→ Min=3.000mm Max=6.500mm | ↕ Min=1.300mm Max=3.500mm | | Max. 8.000 kg |
| | | C | ←→ Min=6.500mm Max=10.000mm | ↕ Min=1.300mm Max=3.500mm | | Max. 16.000 kg |
| | | D | ←→ Min=10.000mm Max=16.000mm | ↕ Min=1.300mm Max=3.500mm | | Max. 24.000 kg |



Indicative Weight: 4.000 kg

Indicative drawing. We reserve the right to modify the design at any time

| Index | Date | Modification | Name |
|---------------------------------------------------|------|--------------|-----------------------------------|
| | | | |
| | | | Date: 20/08/2020 |
| | | | Scale: 1:70 |
| HM2-16-240 EPM beam for lifting of steel plate | | | Checked: BIN |
| | | | Unit:mm |
| | | | HFA20140.00 Indicative drawing |

HVR MAG®

MAGBAT
EUROPE

Date: 20/08/2020
Drawing: ARNO
Checked: BIN

HM2-16-240
EPM beam for lifting of steel plate

HFA20140.00
Indicative drawing