
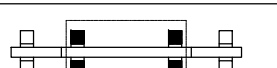

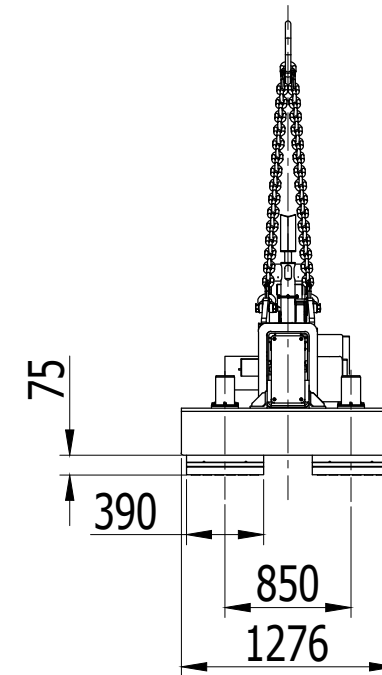
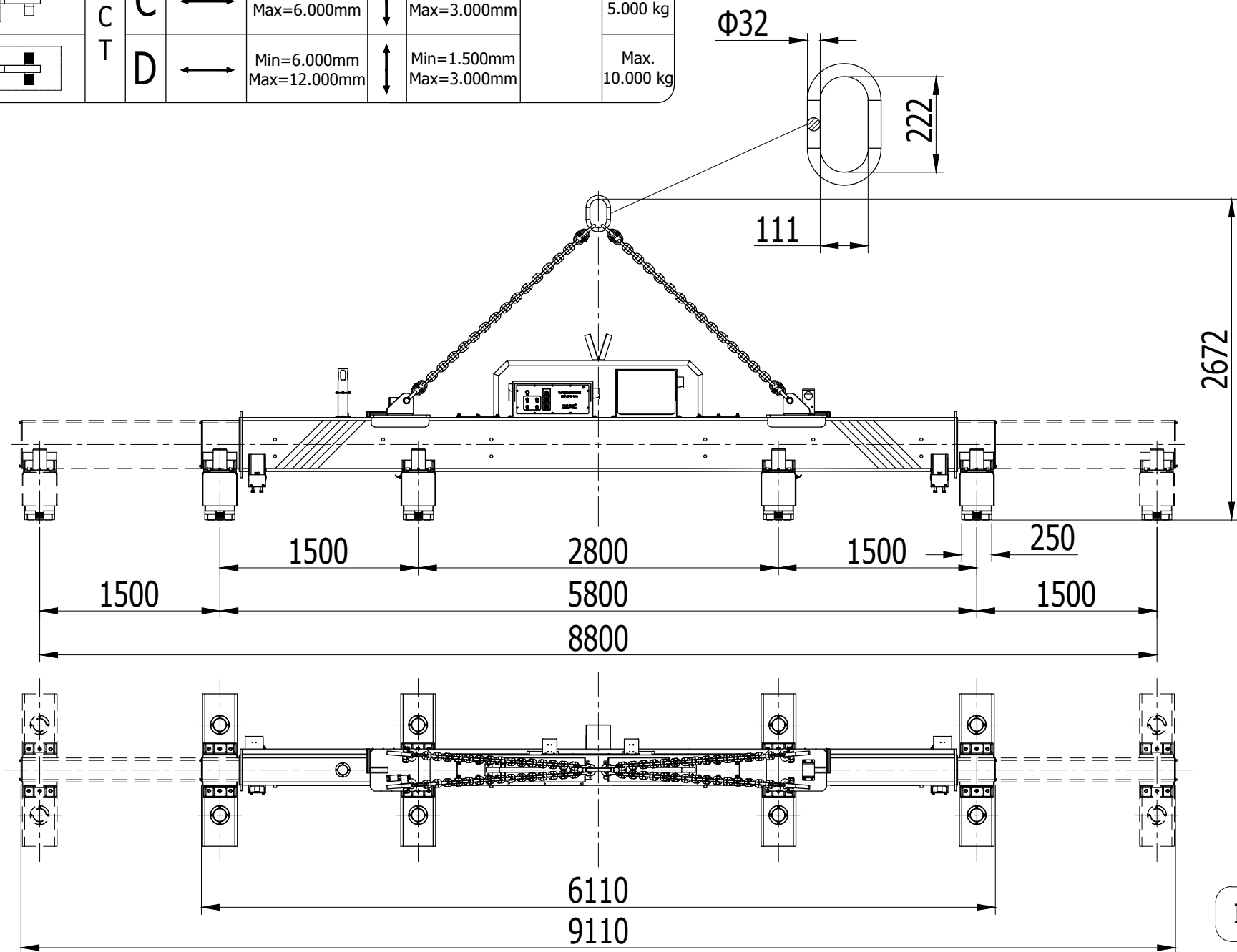

	S E L E C T	A	↔ Min=3.000mm Max=6.000mm	↕ Min=500mm Max=1.500mm	Min. Thickness: 5mm	Max. 2.500 kg
		B	↔ Min=6.000mm Max=12.000mm	↕ Min=500mm Max=1.500mm		Max. 5.000kg
		C	↔ Min=3.000mm Max=6.000mm	↕ Min=1.500mm Max=3.000mm		Max. 5.000 kg
		D	↔ Min=6.000mm Max=12.000mm	↕ Min=1.500mm Max=3.000mm		Max. 10.000 kg



Indicative Weight: 2.650 kg

Indicative drawing. We reserve the right to modify the design at any time

Index	Date	Modification	Name
			Date: 22/06/2020 Drawing: QI Checked: BIN
HM2-12-100 EPM beam for lifting of steel plate			Scale: 1:65 Unit: mm HFA20131.00 Indicative drawing