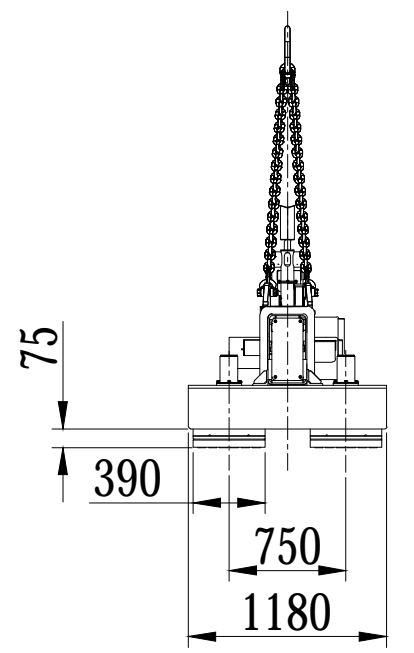
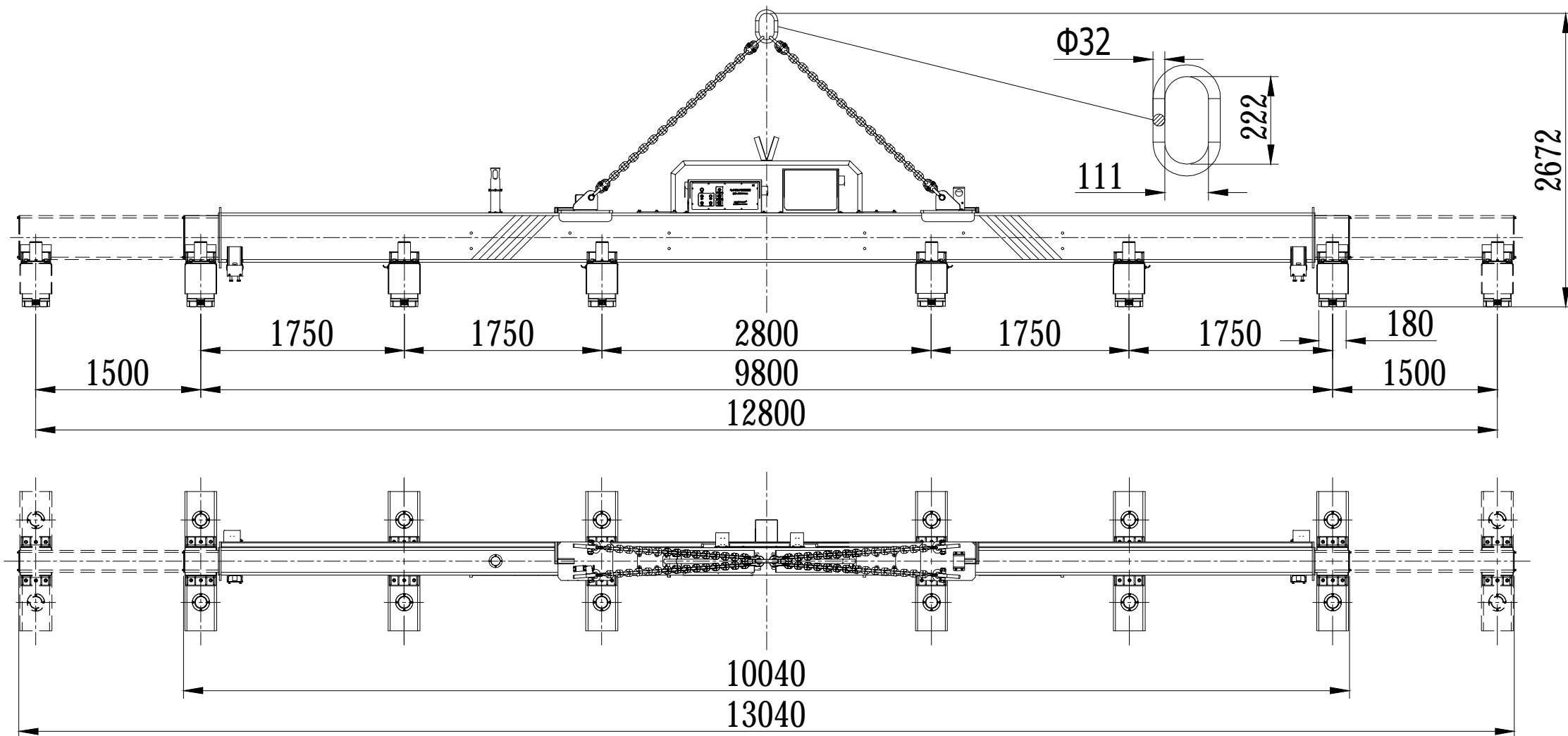


	S E L E C T	A	↔	Min=10.000mm Max=16.000mm	↕	Min=500mm Max=1.200mm	Min. Thickness: 5mm	Max. 4.500 kg
		B	↔	Min=3.100mm Max=6.500mm	↕	Min=500mm Max=1.200mm		Max. 4.500 kg
		C	↔	Min=6.500mm Max=10.000mm	↕	Min=1.200mm Max=3.500mm		Max. 6.000 kg
		D	↔	Min=10.000mm Max=16.000mm	↕	Min=1.200mm Max=3.500mm		Max. 9.000 kg



Indicative Weight: 3.300 kg

Indicative drawing. We reserve the right to modify the design at any time

Index	Date	Modification	Name
			Date: 20/08/2020
			Scale: 1:70
HM2-16-090 EPM beam for lifting of steel plate			Checked: BIN
			Unit:mm
			HFA20136.00 Indicative drawing

HVR MAG®