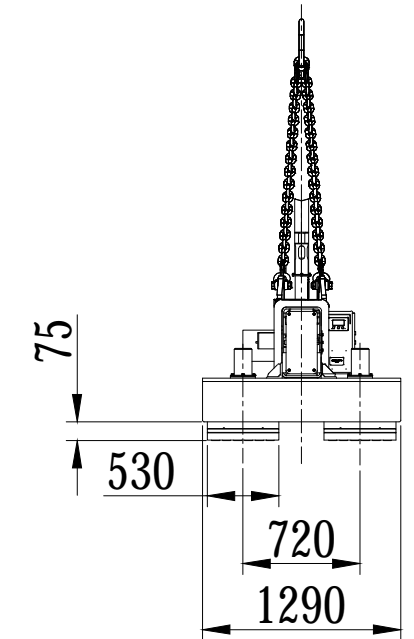
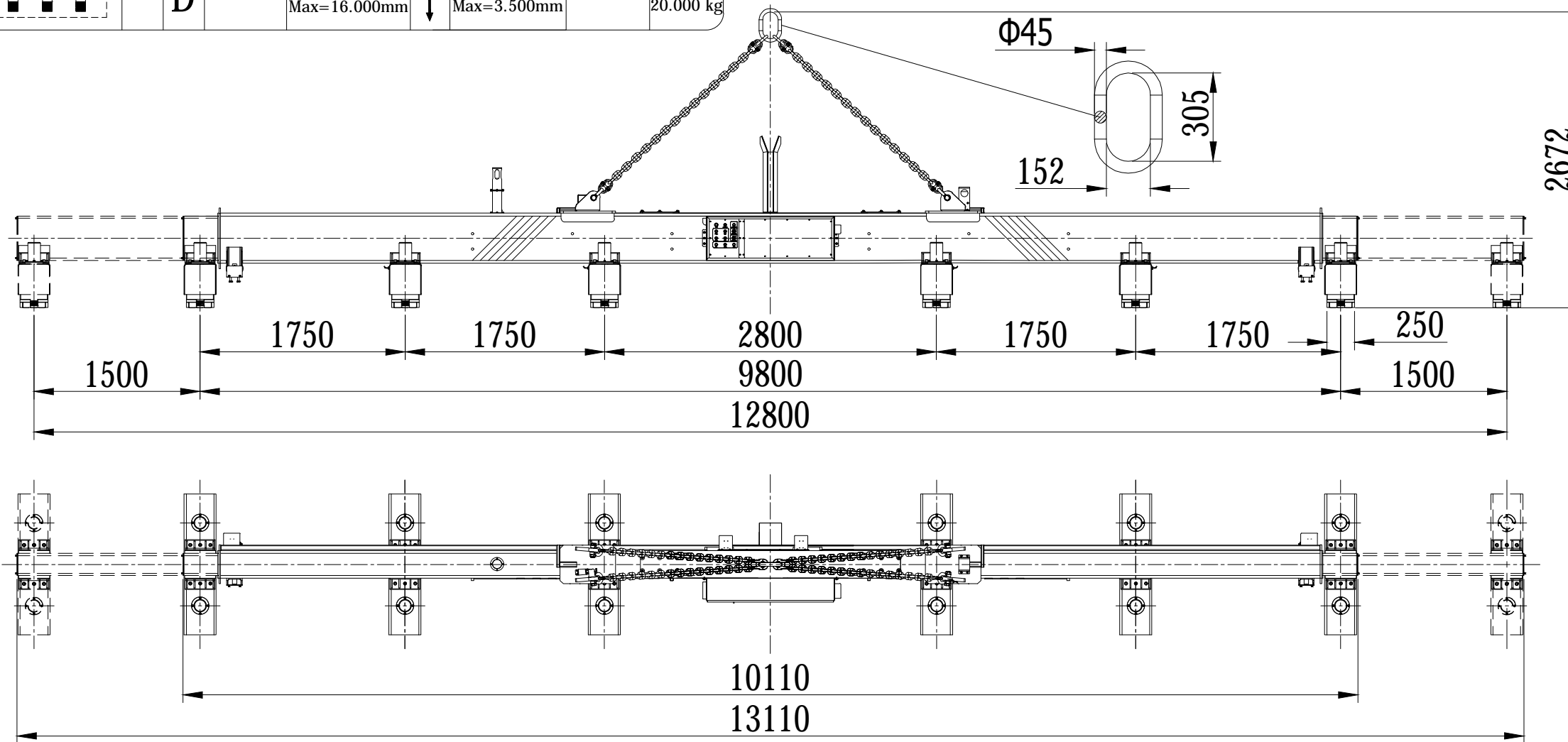


S E L E C T	A	↔	Min=10.000mm Max=16.000mm	↕	Min=600mm Max=1.300mm	Max. 10.000 kg
	B	↔	Min=3.000mm Max=6.500mm	↕	Min=1.300 mm Max=3.500mm	Max. 6.666 kg
	C	↔	Min=6.500mm Max=10.000mm	↕	Min=1.300mm Max=3.500mm	Max. 13.300 kg
	D	↔	Min=10.000mm Max=16.000mm	↕	Min=1.300mm Max=3.500mm	Max. 20.000 kg
					Min. Thickness: 5mm	



Indicative Weight: 3.800 kg

Indicative drawing. We reserve the right to modify the design at any time

Index	Date	Modification	Name
			Date: 20/08/2020
			Scale: 1:70
HM2-16-200 EPM beam for lifting of steel plate			Checked: BIN
			Unit:mm
			HFA20139.00 Indicative drawing