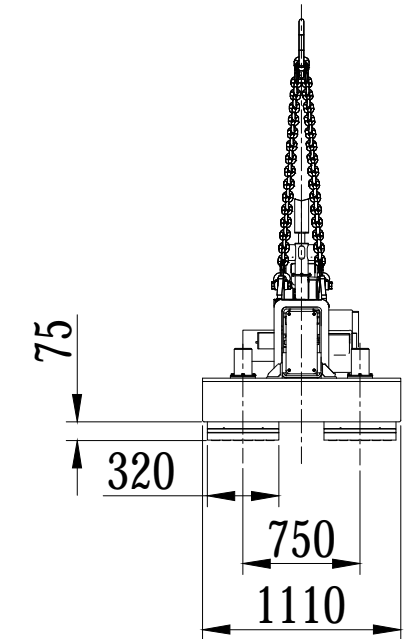
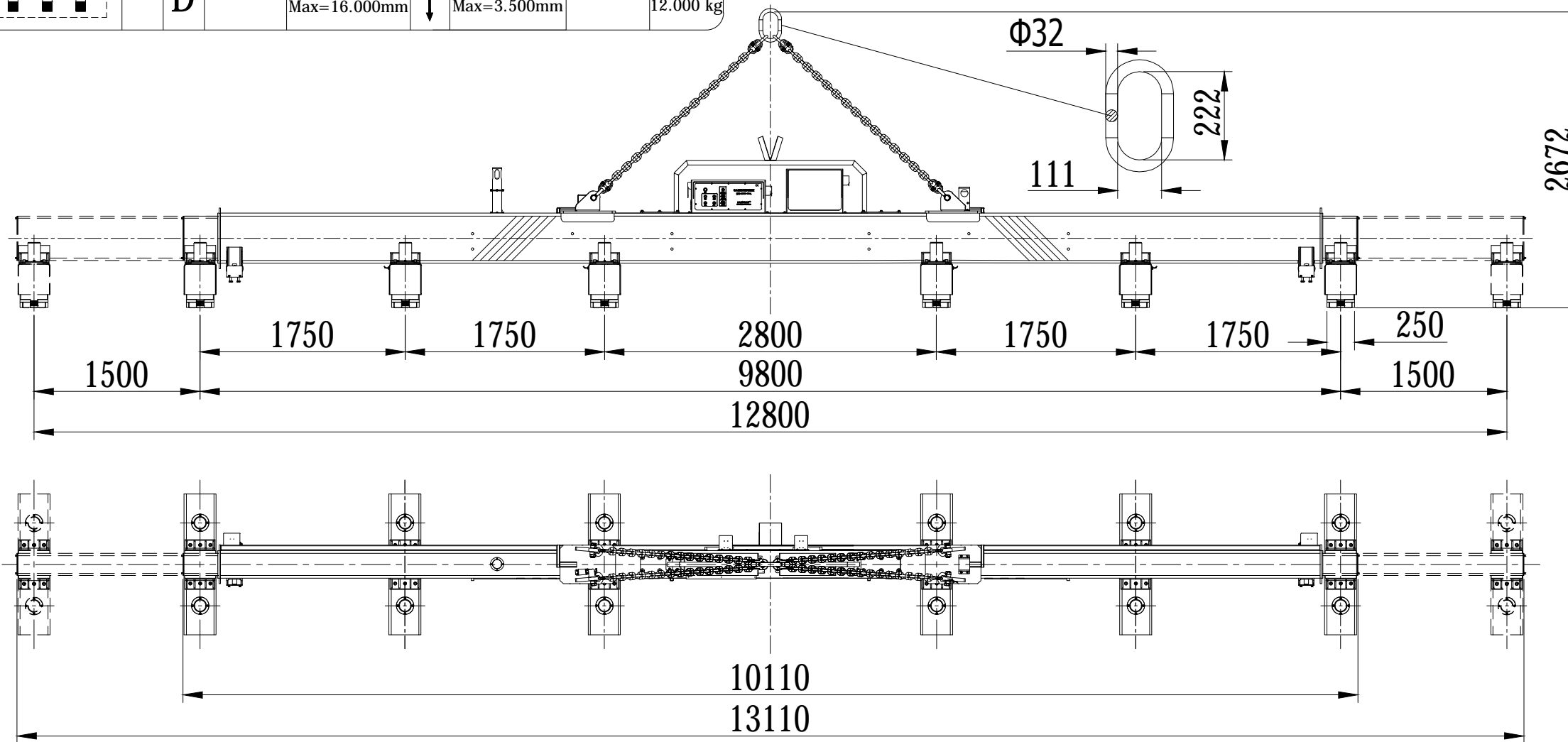


S E L E C T	A	↔	Min=10.000mm Max=16.000mm	↕	Min=500mm Max=1.100mm	Max. 6.000 kg
	B	↔	Min=3.100mm Max=6.500mm	↕	Min=1.100mm Max=3.500mm	Max. 6.000 kg
	C	↔	Min=6.500mm Max=10.000mm	↕	Min=1.100mm Max=3.500mm	Max. 8.000 kg
	D	↔	Min=10.000mm Max=16.000mm	↕	Min=1.100mm Max=3.500mm	Max. 12.000 kg
					Min. Thickness: 5mm	



Indicative Weight: 3.400 kg

Indicative drawing. We reserve the right to modify the design at any time

Index	Date	Modification	Name
HVR MAG®			
MAGBAT EUROPE			Date: 20/08/2020
HM2-16-120 EPM beam for lifting of steel plate			Scale: 1:70
			Unit: mm
			HFA20137.00
			Indicative drawing