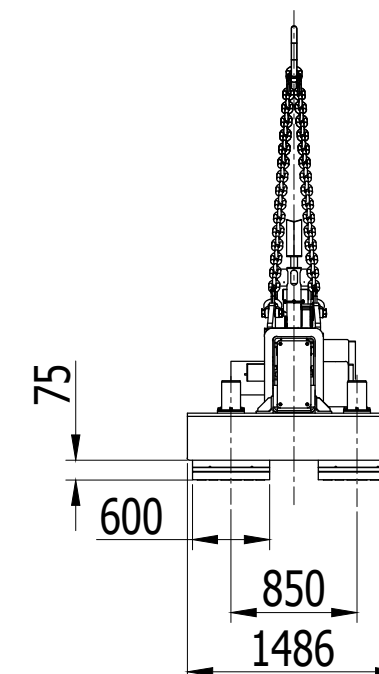
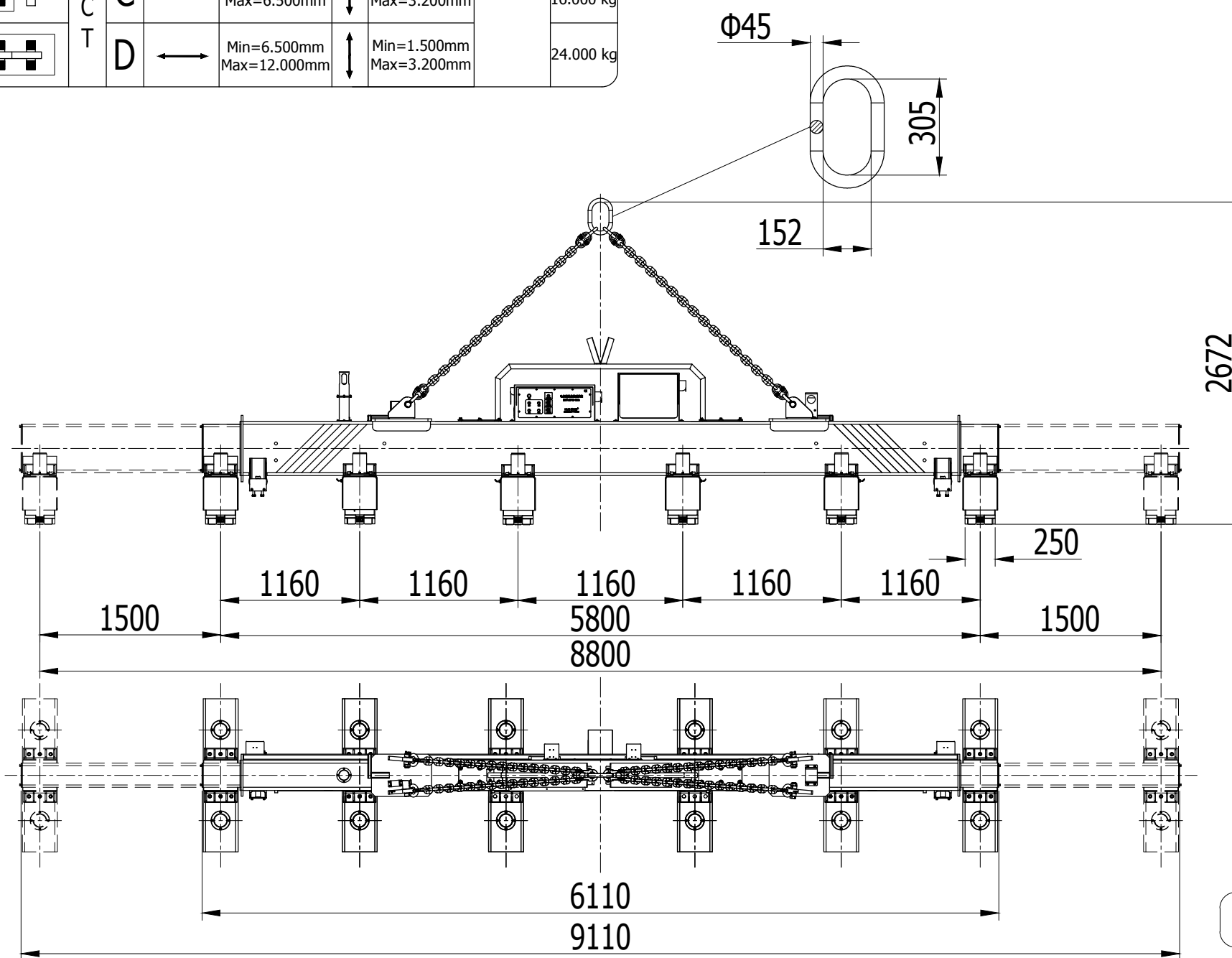


S E L E C T	A	←→ Min=6.500mm Max=12.000mm	↑↓ Min=500mm Max=1.500mm	Min. Thickness: 5mm	Max. 12.000 kg
	B	←→ Min=6.500mm Max=12.000mm	↑↓ Min=500mm Max=1.500mm		Max. 12.000 kg
	C	←→ Min=3.800mm Max=6.500mm	↑↓ Min=1.500mm Max=3.200mm		Max. 16.000 kg
	D	←→ Min=6.500mm Max=12.000mm	↑↓ Min=1.500mm Max=3.200mm		24.000 kg



Indicative Weight: 3.550 kg

Indicative drawing. We reserve the right to modify the design at any time

Index	Date	Modification	Name
			HVR MAG®
MAGBAT EUROPE			Date: 22/06/2020 Drawing: QI Checked: BIN
HM2-12-240 EPM beam for lifting of steel plate			Scale: 1:65 Unit: mm HFA20135.00 Indicative drawing