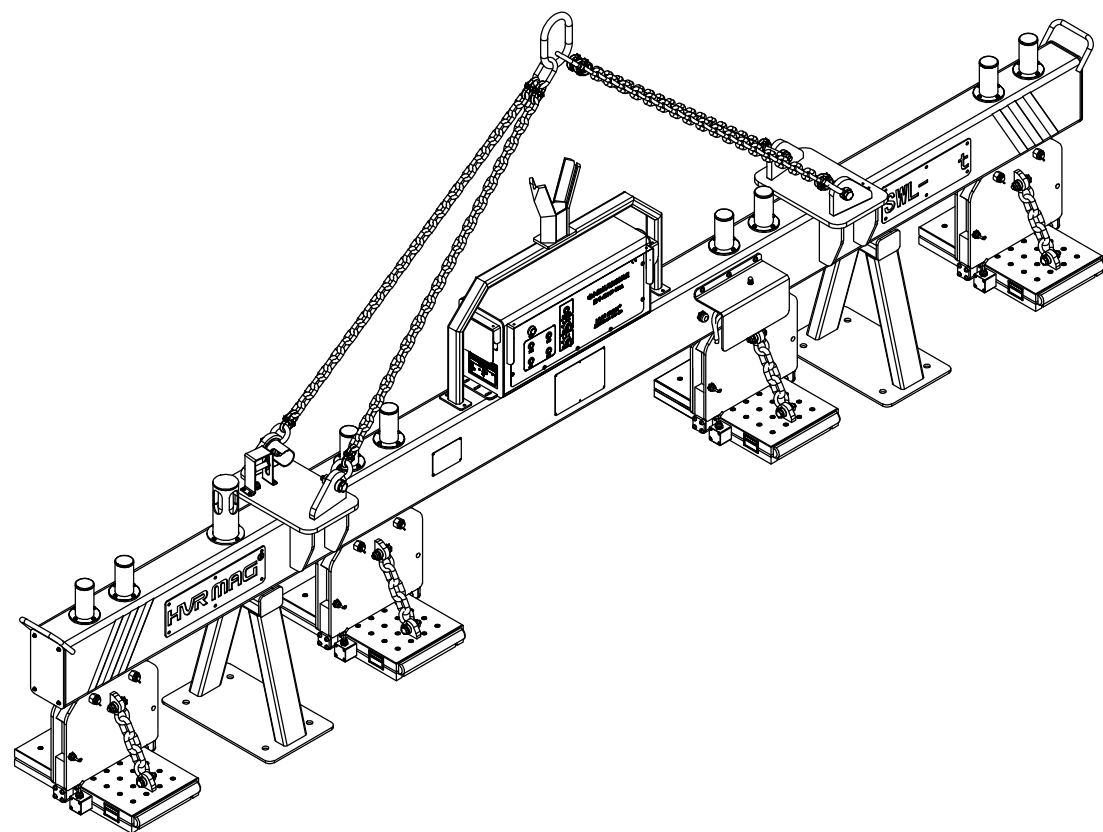
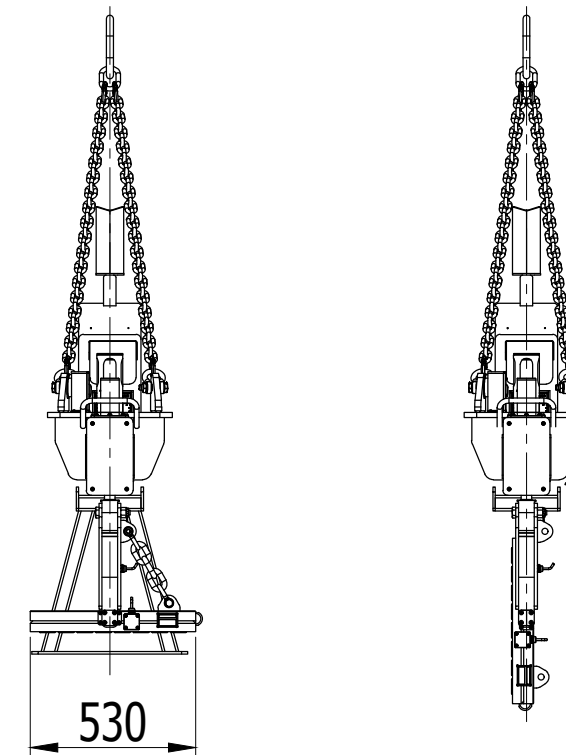
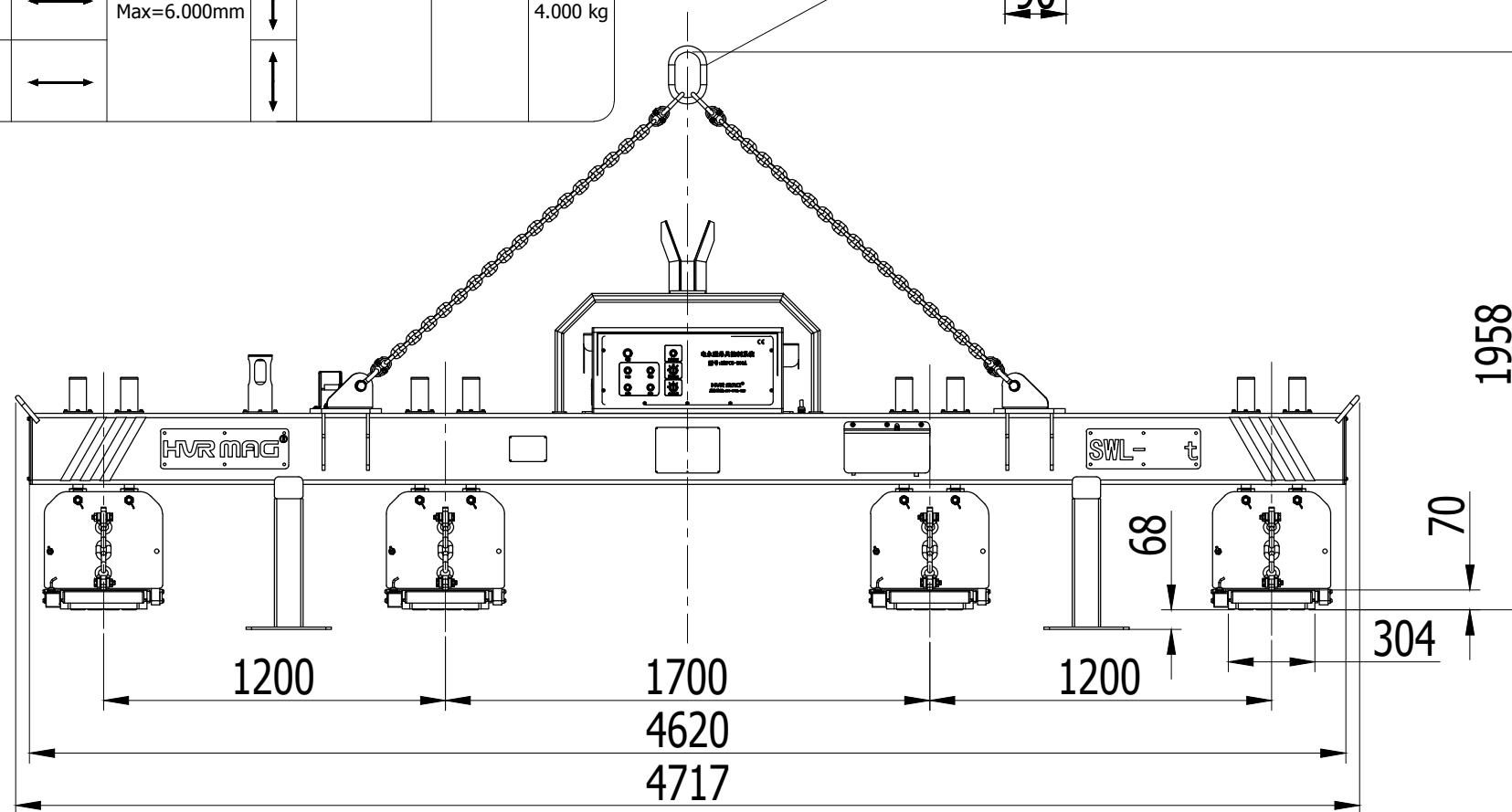
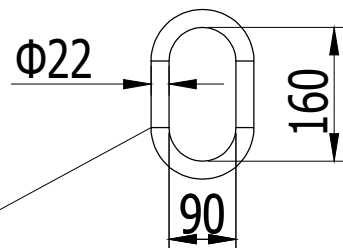


	S E L E C T	A	↔	Min=2.000mm Max=4.500mm	↕	Min. Thickness: 5mm	Max. 2.000 kg	
		B	↔		↕		Min=1.200mm Max=3.200mm	Max. 4.000 kg
		C	↔	Min=4.500mm Max=6.000mm	↕			
		D	↔		↕			



Indicative Weight: 900 kg

Indicative drawing. We reserve the right to modify the design at any time

Index	Date	Modification	Name
			HVR MAG®
			Date: 01/07/2020
			Scale: 1:35
HM4-06-040 EPM beam for lifting of steel plate			Checked: BIN
			Unit:mm
			HFA20145.00 Indicative drawing