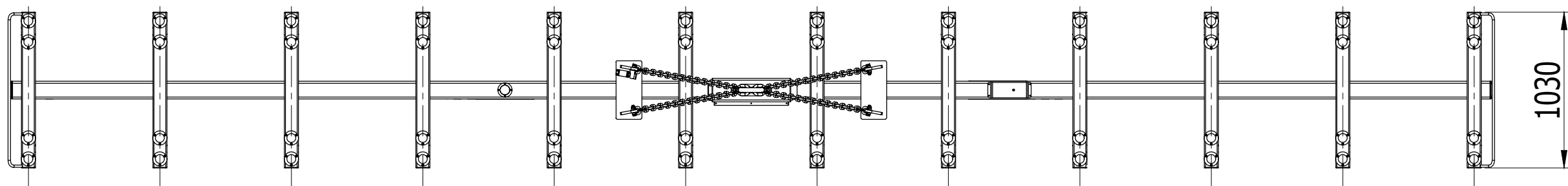
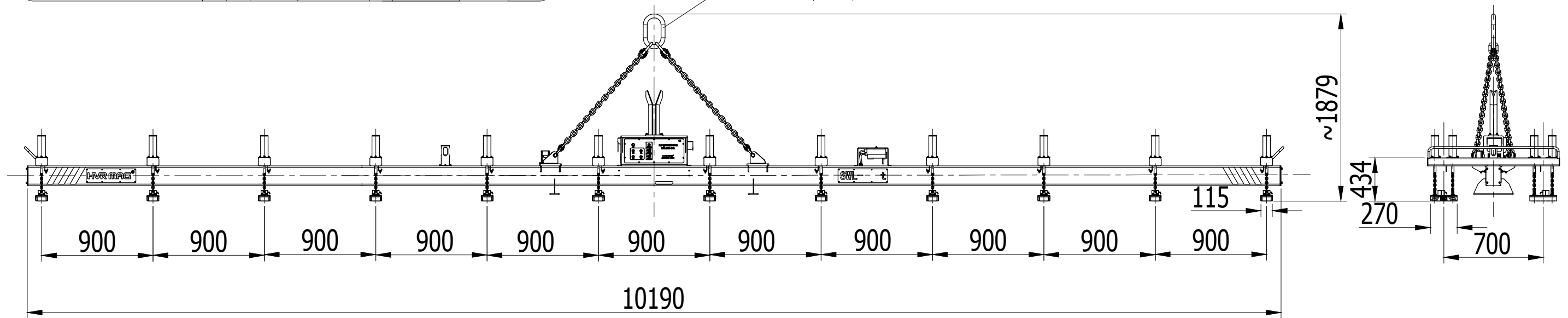
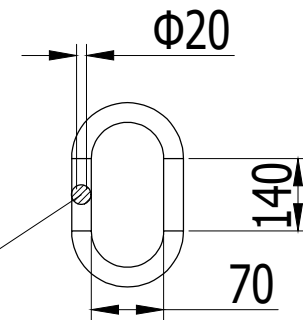


S E L E C T		Min=2.900mm Max=4.700mm	Min=1.000mm Max=2.500mm	Max. 1.333kg
A	←	Min=4.700mm Max=6.500mm	Min=1.000mm Max=2.500mm	Max. 2.000 kg
B	←	Min=6.500mm Max=10.500mm	Min=1.000mm Max=2.500mm	Max. 2.666 kg
C	←	Min=10.500mm Max=12.000mm	Min=1.000mm Max=2.500mm	Max. 4.000 kg
D	←			



Indicative Weight: 1.200 kg

Indicative drawing. We reserve the right to modify the design at any time

Index	Date	Modification	Name
MAGBAT EUROPE			Date: 30/06/2020 Drawing: QI Checked: BIN
HM3-12-040 EPM beam for lifting of steel plate			Scale: 1:60 Unit:mm HFA20144.00 Indicative drawing

HVR MAG®