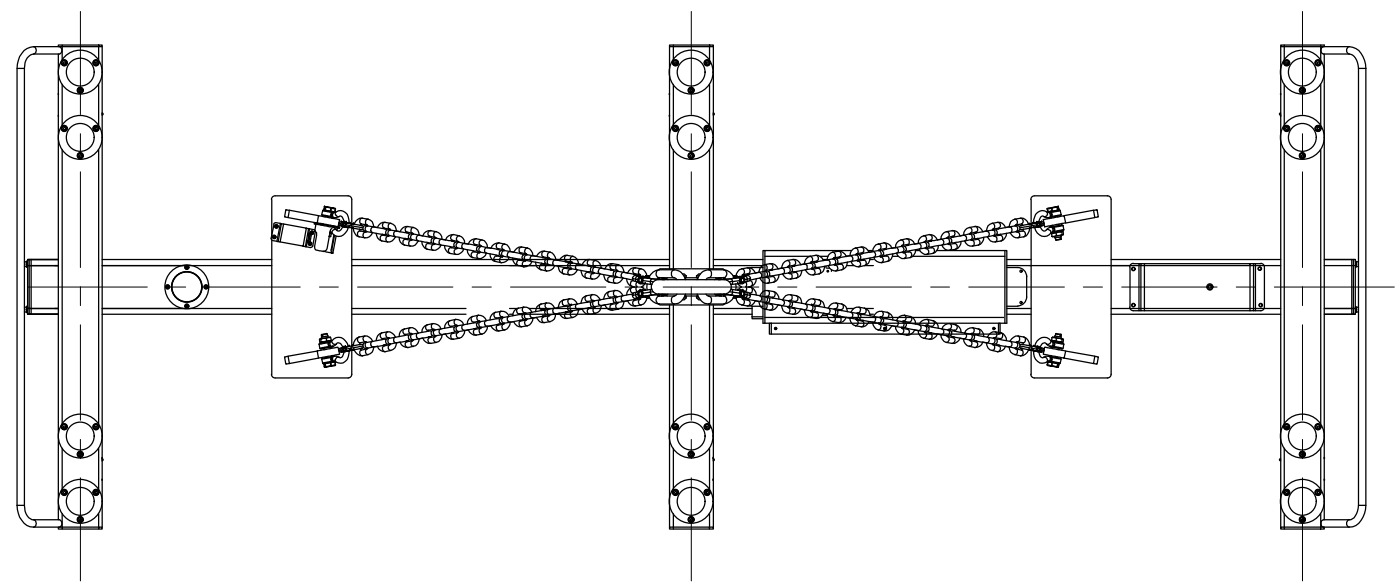
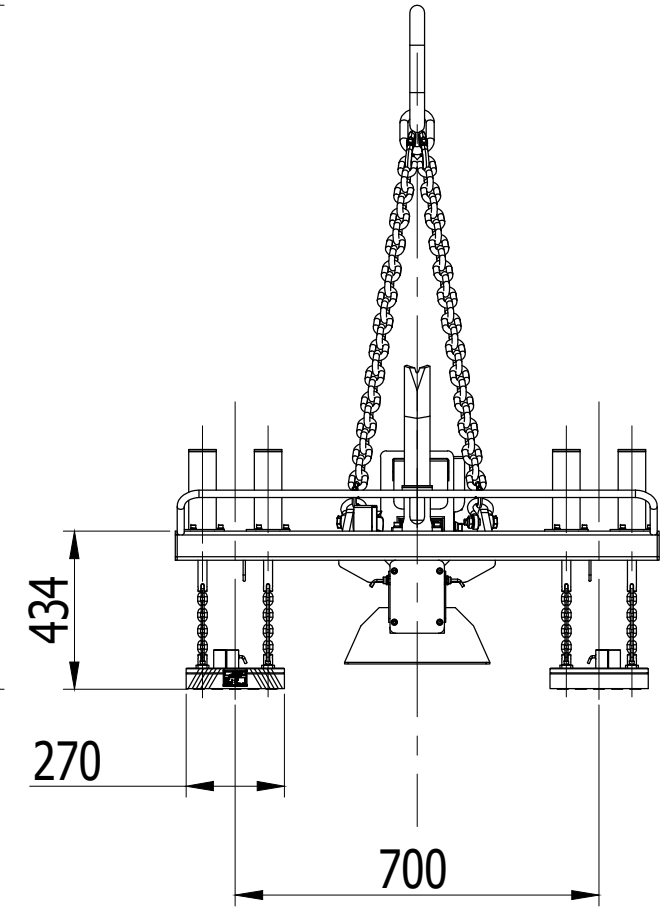
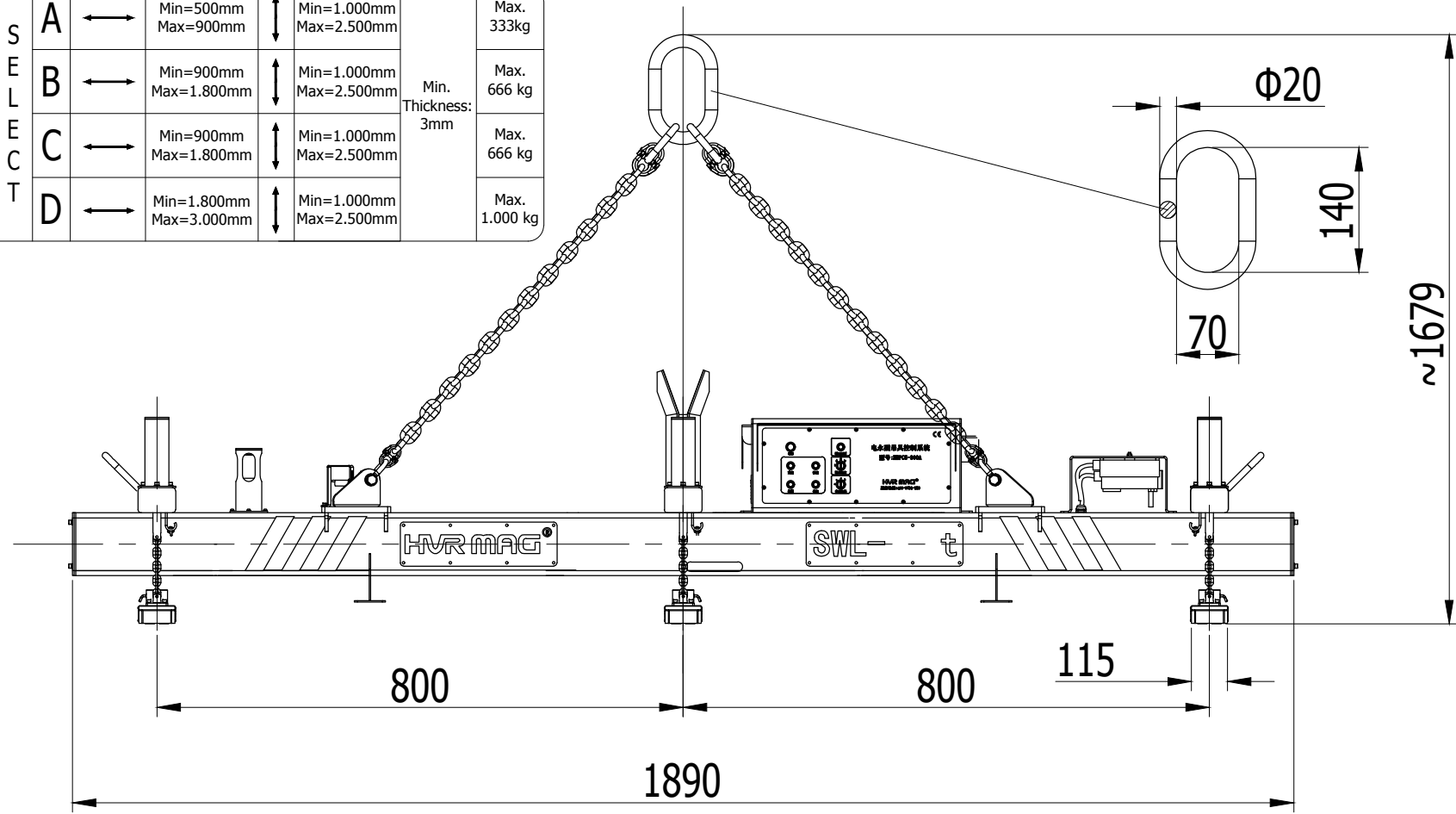


	S E L E C T	A	←→ Min=500mm Max=900mm	↑↓ Min=1.000mm Max=2.500mm	Min. Thickness: 3mm	Max. 333kg
		B	←→ Min=900mm Max=1.800mm	↑↓ Min=1.000mm Max=2.500mm		Max. 666 kg
		C	←→ Min=900mm Max=1.800mm	↑↓ Min=1.000mm Max=2.500mm		Max. 666 kg
		D	←→ Min=1.800mm Max=3.000mm	↑↓ Min=1.000mm Max=2.500mm		Max. 1.000 kg



Indicative Weight: 550 kg

Indicative drawing. We reserve the right to modify the design at any time

Index	Date	Modification	Name
			HVR MAG®
HM3-03-010 EPM beam for lifting of steel plate			Date: 30/06/2020 Scale: 1:30 Drawing: QI Checked: BIN Unit:mm
			HFA20141.00 Indicative drawing