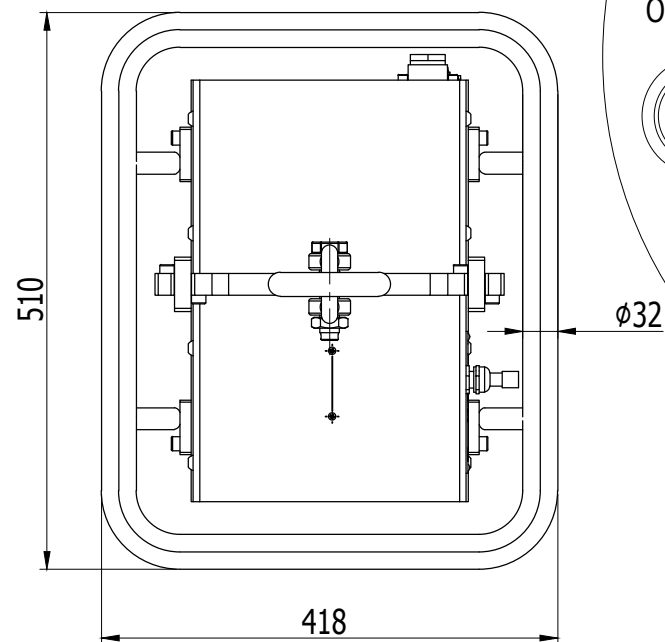
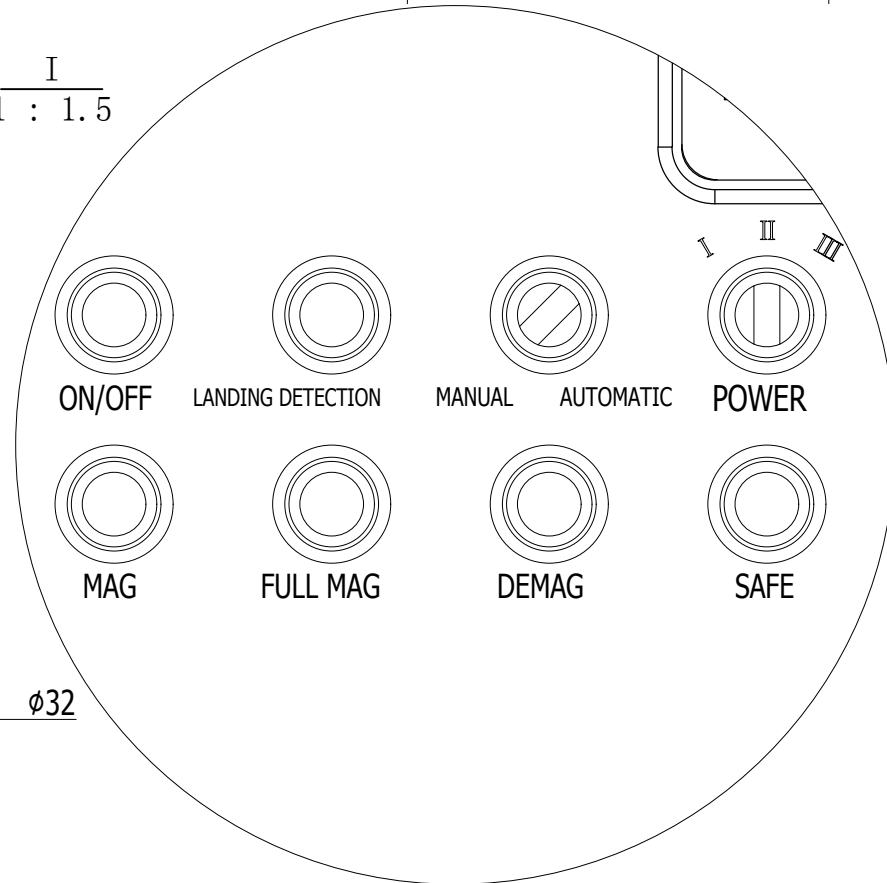


I  
1 : 1.5



Indicative Weight: 126 kg

Indicative drawing. We reserve the right to modify the design at any time

Load Specifications	
Min.Thickness:	6 mm
SWL Flat/Round:	1000/500 kg
Charging:	230V/50HZ-7/8 hours
Autonomy:	600 Cycles

Index	Date	Modification	Name
			Date: 17/06/2020
			Scale: 1:10
<b>HBEF-1000</b> EPM beam for lifting of steel plate			Checked: BIN
			Unit:mm
			<b>HFA20172.00</b> Indicative drawing